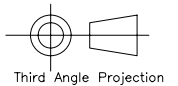
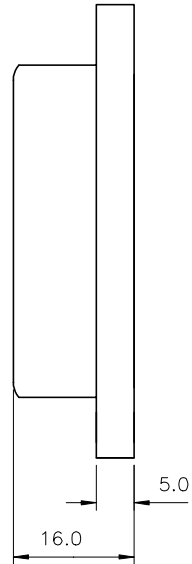
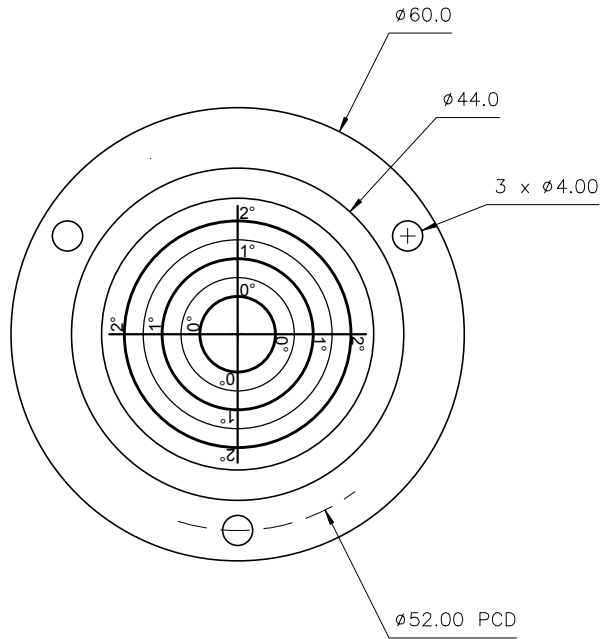


Used On	Scale 1:1	Title CG60 circular level, $\phi 60$ , $\pm 2^\circ$	Drawing Number 3108/1	
			Issue	Date
			Amendment	

Note :

Temp. Range:  $-40$  to  $+70^\circ\text{C}$   
 Centre Ring :  
 Outside diameter :  $\phi 10.3\text{mm}$   
 Colour : Black  
 Printed on inside surface of glass top lens  
 Bubble :  $\phi 9.0 \pm 0.5$  ( $@20^\circ\text{C}$ )  
 Backing: White

Part Number	Sensitivity	Finish
CG60/2deg	30'/2.5mm	Chrome plated
CG60B/2deg	30'/2.5mm	Black anodised



Finish See Table	Tolerances Unless Stated Otherwise (mm Units)	XX. +/- 1.0	Material Aluminium housing with glass vial	Level Developments Ltd	
		XX.X +/- 0.25		Drawn By JHL	Date 04/11/2009
		XX.XX +/- 0.1			