

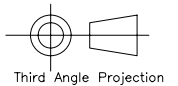
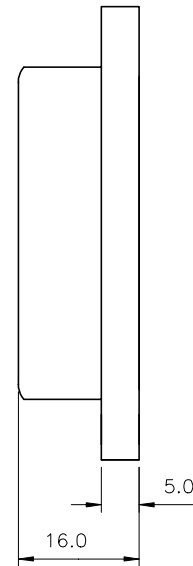
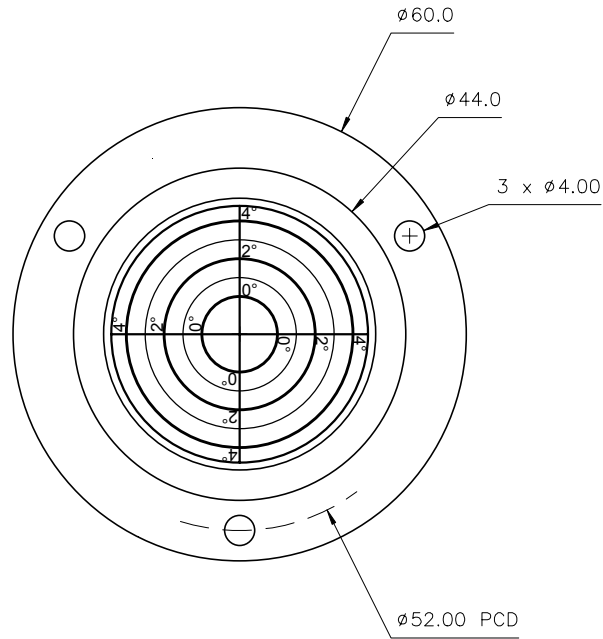
Used On	Scale 1:1	Title CG60 circular level, $\phi 60$, $\pm 4^\circ$	Drawing Number 3109/1	
---------	--------------	---	--------------------------	--

Issue	Amendment	Date
-------	-----------	------

Note :

Temp. Range: -40 to $+70^\circ\text{C}$
 Centre Ring :
 Outside diameter : $\phi 10.3\text{mm}$
 Colour : Black
 Printed on inside surface of glass top lens
 Bubble : $\phi 9.0 \pm 0.5$ ($@20^\circ\text{C}$)
 Backing: White

Part Number	Sensitivity	Finish
CG60/4deg	$1^\circ/2.5\text{mm}$	Chrome plated
CG60B/4deg	$1^\circ/2.5\text{mm}$	Black anodised



Finish See Table	Tolerances Unless Stated Otherwise (mm Units)	XX. +/- 1.0	Material Aluminium housing with glass vial	Level Developments Ltd	
		XX.X +/- 0.25		Drawn By JHL	Date 04/11/2009
		XX.XX +/- 0.1			