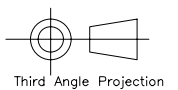
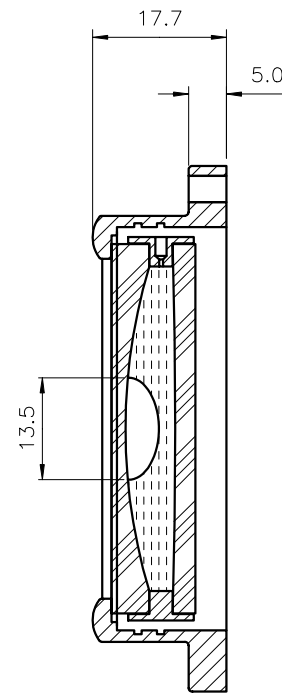
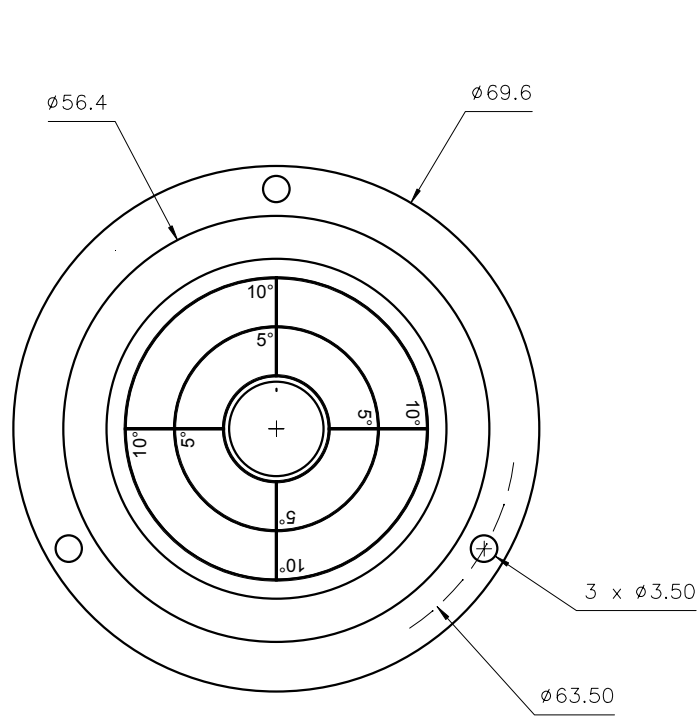


| | | | | |
|---------|--------------|--|--------------------------|-----------|
| Used On | Scale 1:1 | Title Circular Level $\phi 69.6$, $\pm 10^\circ$ range | Drawing Number 3111/1 | |
| | | | Issue | Amendment |
| | | | | Date |

Note :

Temp. Range: -40 to $+70^\circ\text{C}$
 Centre Ring :
 Outside diameter : $\phi 14.5\text{mm}$
 Colour : Black
 Printed on inside surface of glass top lens
 Bubble : $\phi 13.5 \pm 0.3$ ($@20^\circ\text{C}$)
 Backing: White

| Part Number | Sensitivity | Finish |
|-------------|-------------|----------------|
| CG70/10deg | 5'/6.5mm | Chrome plated |
| CG70B/10deg | 5'/6.5mm | Black anodised |



| | | | | | |
|---------------------|--|---|--|-----------------|--|
| Finish See table | Tolerances Unless Stated Otherwise (mm Units) | XX. +/- 1.0 XX.X +/- 0.25 XX.XX +/- 0.1 | Material Aluminium housing, glass vial | Date 02/10/2009 | Level Developments Ltd Croydon, Surrey, CR0 2DN t.+44 (0)20 8684 1400 |
| | Drawn By JHL | | | | |