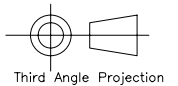
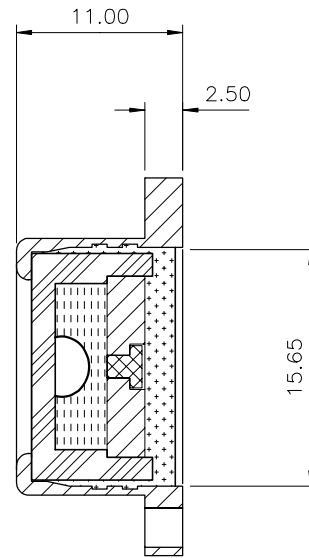
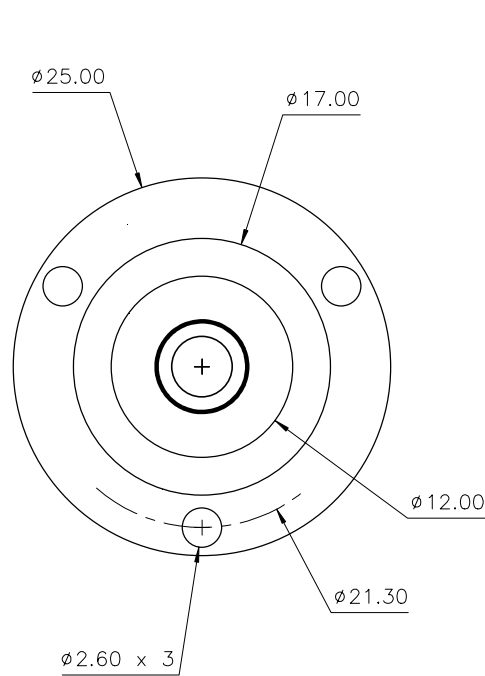


Used On	Scale 2:1	Title CP25 Circular level, $\phi 25$	Drawing Number 3122/1	
			Issue	Amendment
				Date

Note :

-----  
Temp. Range: -25 to +65°C  
Centre Ring :  
  Outside diameter :  $\phi 6.1\text{mm}$   
  Colour : Black  
  Printed on outside surface of vial top lens  
Bubble :  $\phi 4.8 \pm 0.5$  (@20°C)  
Backing: White

Part Number	Sensitivity	Finish
CP25	34'/2mm	Chrome plated
CP25/53	53'/2mm	Chrome plated
CP25/92	92'/2mm	Chrome plated
CP25B	34'/2mm	Black anodised
CP25B/53	53'/2mm	Black anodised
CP25B/92	92'/2mm	Black anodised



Finish See Table	Tolerances Unless Stated Otherwise (mm Units)	XX. +/- 1.0	Material Aluminium housing, plastic vial	Level Developments Ltd	
		XX.X +/- 0.25		Croydon, Surrey, CR0 2DN t.+44 (0)20 8684 1400	
	XX.XX +/- 0.1	Drawn By JHL	Date 30/10/2009		