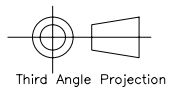
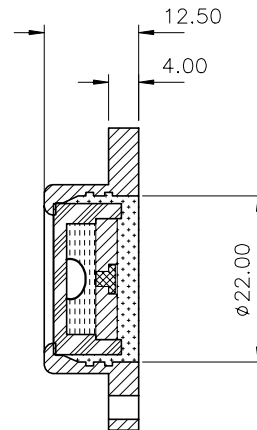
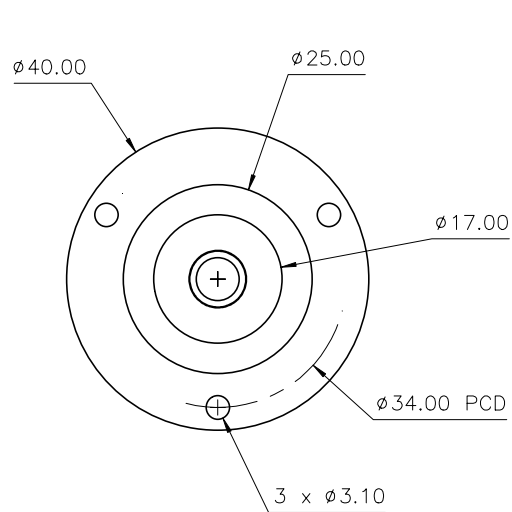


Used On	Scale 1:1	Title CP40 circular level, $\phi 40$	Drawing Number 3127/1	
			Issue	Amendment
				Date

Note :

Temp. Range: -25 to +65°C  
 Centre Ring :  
 Outside diameter :  $\phi 7.6\text{mm}$   
 Colour : Black  
 Printed on outside surface of glass top lens  
 Bubble :  $\phi 5.8 \pm 0.5$  (@20°C)  
 Backing: White

Part Number	Sensitivity	Finish
CP40	30' / 2mm	Chrome plated
CP40/53	53' / 2mm	Chrome plated
CP40/92	92' / 2mm	Chrome plated
CP40B	34' / 2mm	Black anodised
CP40B/53	53' / 2mm	Black anodised
CP40B/92	92' / 2mm	Black anodised



Finish See Table	Tolerances Unless Stated Otherwise (mm Units)	XX. +/- 1.0 XX.X +/- 0.25 XX.XX +/- 0.1	Material Aluminium housing with plastic vial	Level Developments Ltd Croydon, Surrey, CR0 2DN t.+44 (0)20 8684 1400	
	Drawn By JHL	Date 09/10/2009			