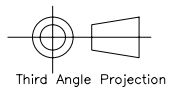
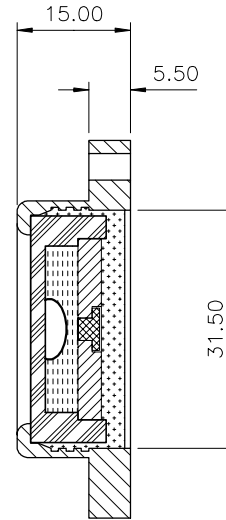
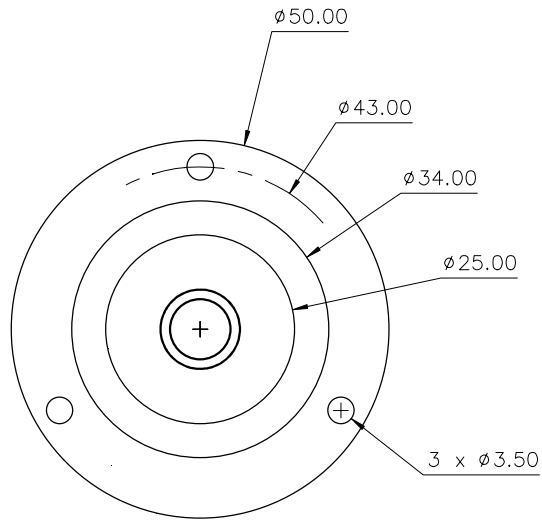


Used On	Scale 1:1	Title CP50 circular level, $\phi 50$ , sens 37'/2mm	Drawing Number 3128/1	
			Issue	Amendment
				Date

Note :

Temp. Range: -25 to +65°C  
 Centre Ring :  
 Outside diameter :  $\phi 9.0$ mm  
 Colour : Black  
 Printed on outside surface of glass top lens  
 Bubble :  $\phi 7.2 \pm 0.5$  (@20°C)  
 Backing: White

Part Number	Sensitivity	Finish
CP50	37'/2mm	Chrome plated
CP50B	37'/2mm	Black anodised



Finish See Table	Tolerances Unless Stated Otherwise (mm Units)	XX. +/- 1.0	Material Aluminium housing with plastic vial	Level Developments Ltd	
		XX.X +/- 0.25		Drawn By JHL	Date 04/11/2009
		XX.XX +/- 0.1			