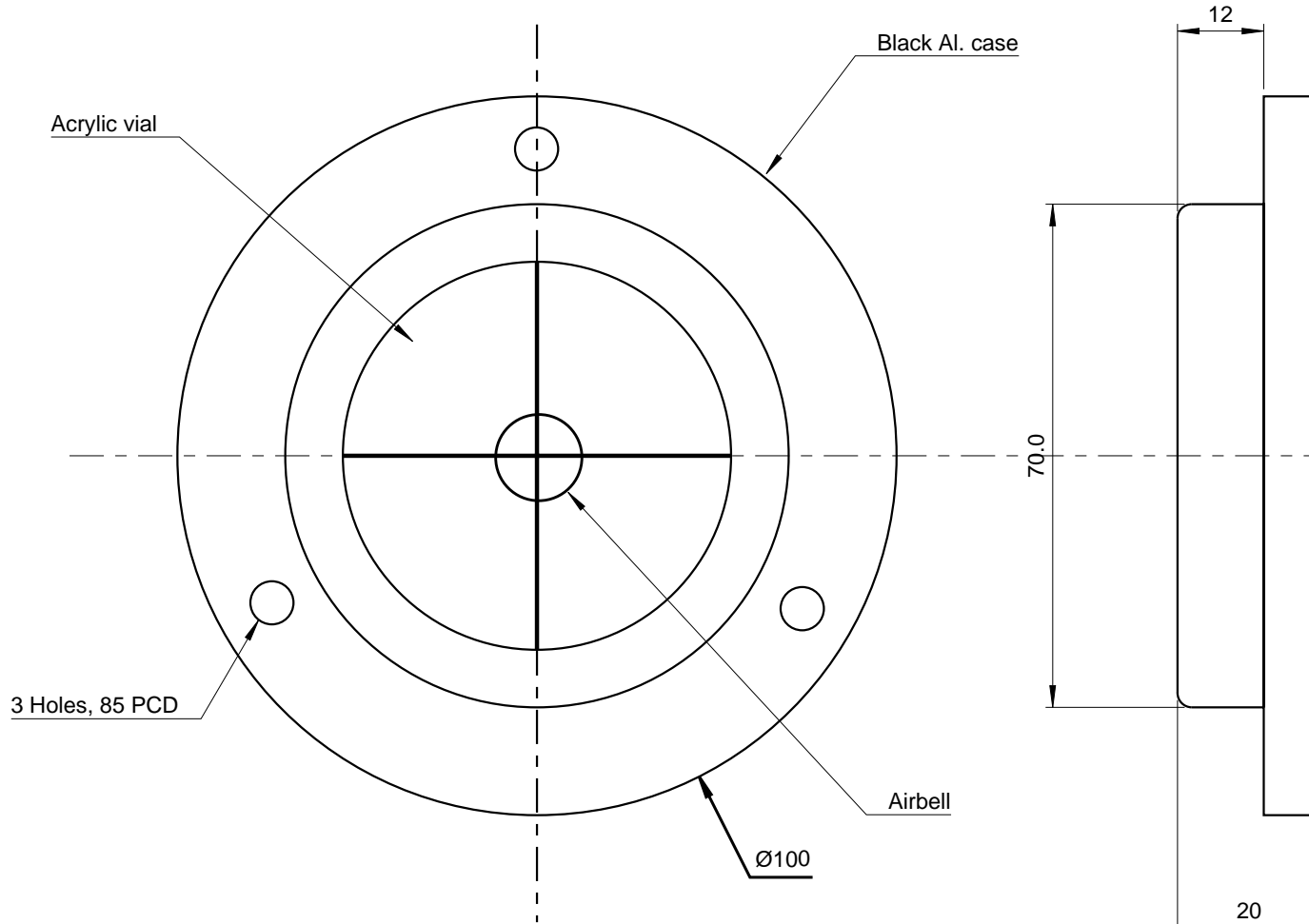
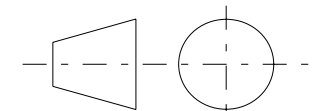


USED ON	SCALE 1:1	TITLE Circular level with cross lines	DRAWING NUMBER 5229/1
---------	---------------------	---	---------------------------------

ISSUE	AMENDMENT	DATE
-------	-----------	------



Vial sensitivity : 1 degree for 1.7mm airbell movement



FINISH Black Anodised	TOLERANCES UNLESS STATED OTHERWISE mm UNITS	XX. +/- 1.0 XX.X +/- 0.25 XX.XX +/- 0.1	MATERIAL Aluminium case, plastic vial	LEVEL DEVELOPMENTS Croydon, Surrey, CRO 2DN
			DRAWN BY J.H.L.	