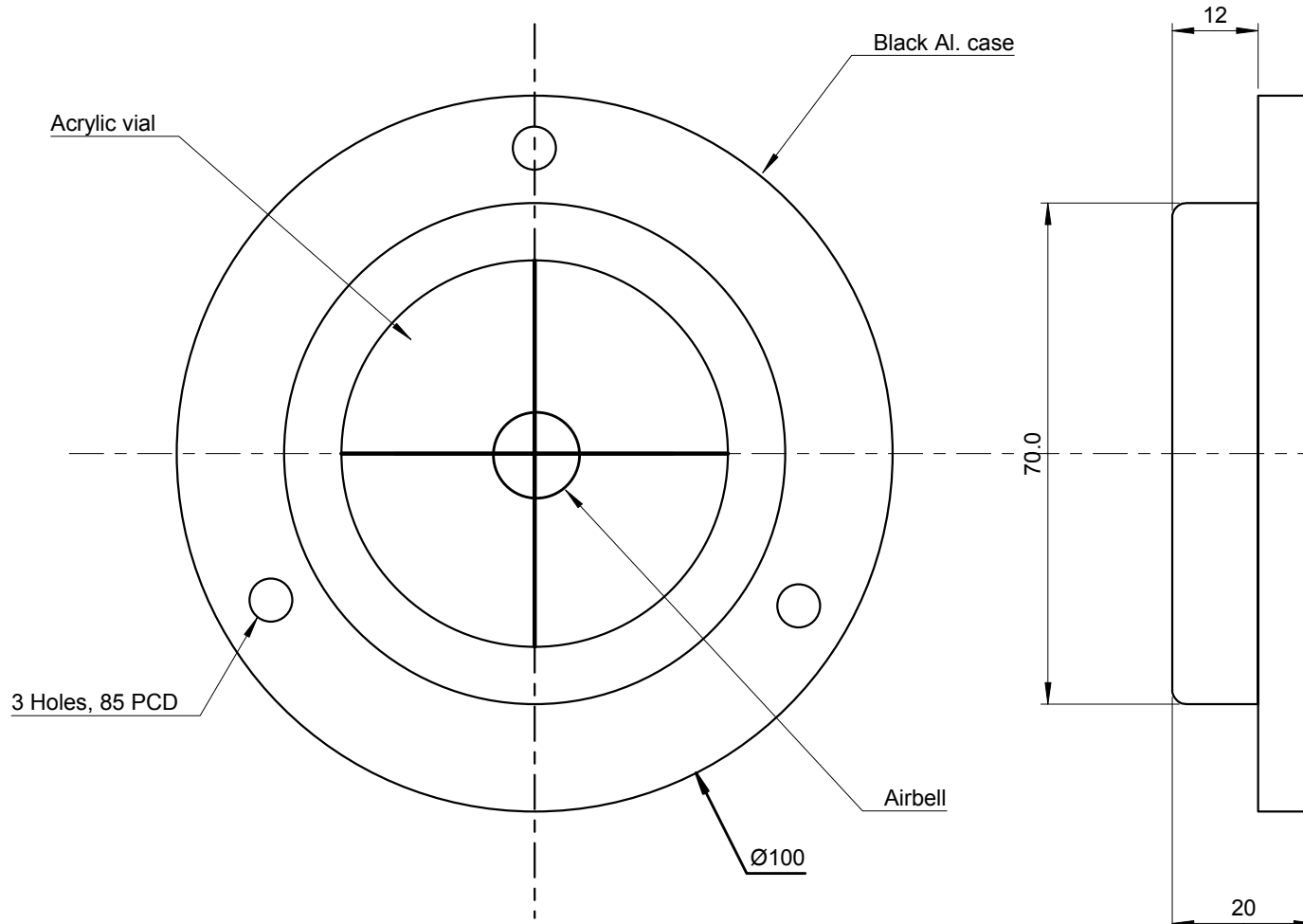
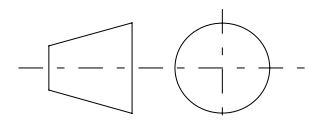


USED ON	SCALE 1:1	TITLE Circular level with cross lines	DRAWING NUMBER 5229/1	
---------	--------------	--	--------------------------	--

ISSUE	AMENDMENT	DATE
-------	-----------	------



Vial sensitivity : 1 degree for 1.7mm airbell movement



FINISH Black Anodised	TOLERANCES UNLESS STATED OTHERWISE mm UNITS	XX.	+/- 1.0	MATERIAL Aluminium case, plastic vial	LEVEL DEVELOPMENTS
		XX.X	+/- 0.25		
		XX.XX	+/-0.1		Croydon, Surrey, CRO 2DN