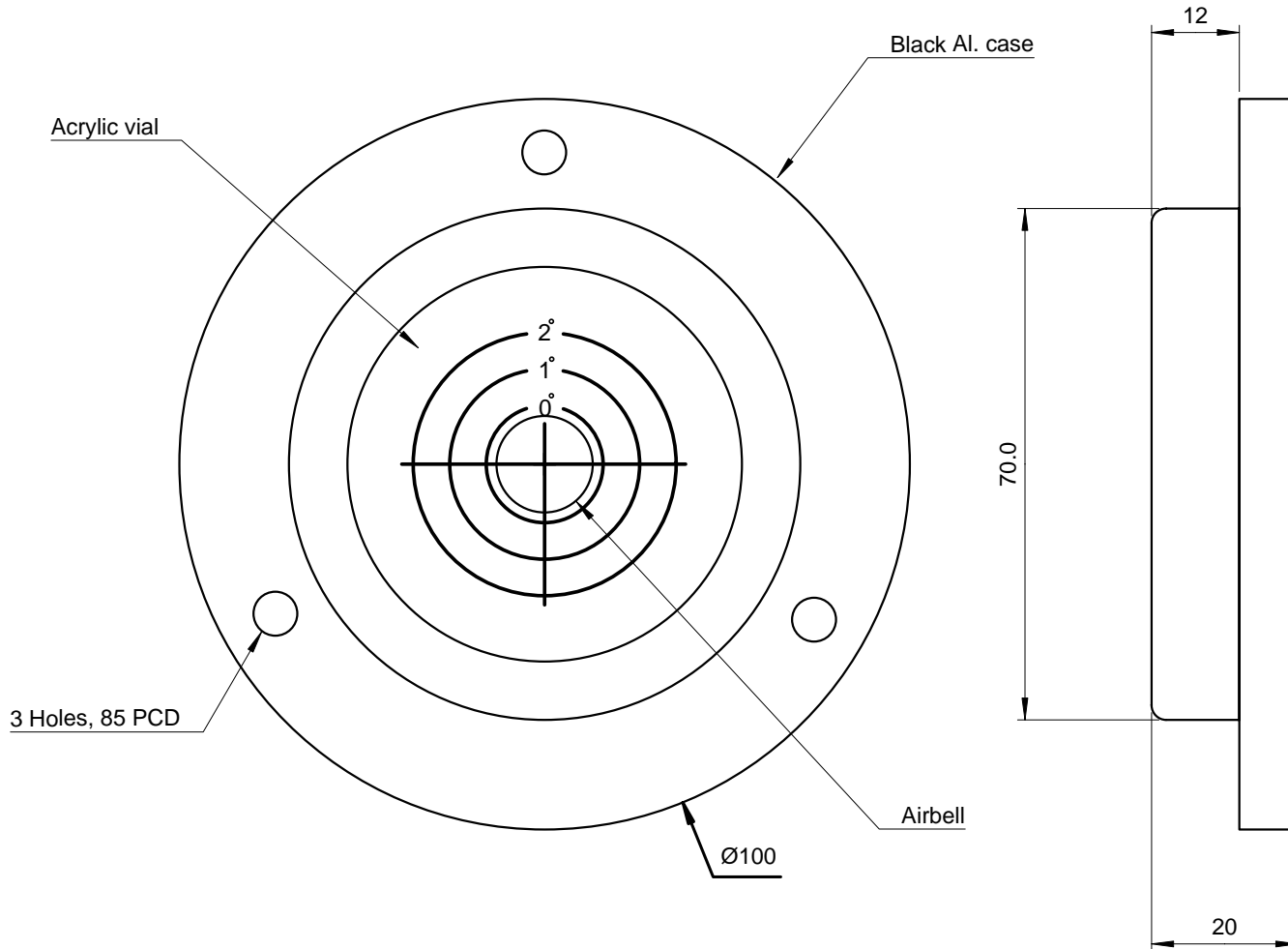
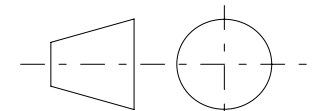


USED ON	SCALE 1:1	TITLE Circular level, 0,1 and 2 deg.	DRAWING NUMBER 5229/2	
---------	--------------	---	--------------------------	--

ISSUE	AMENDMENT	DATE
-------	-----------	------



Vial sensitivity : 1 degree for 5mm airbell movement



FINISH Eggshell black	TOLERANCES UNLESS STATED OTHERWISE mm UNITS	XX.	+/- 1.0	MATERIAL Aluminium case, plastic vial	DRAWN BY J.H.L	DATE 12/08/1997	LEVEL DEVELOPMENTS Croydon, Surrey, CRO 2DN
		XX.X	+/- 0.25				
		XX.XX	+/- 0.1				