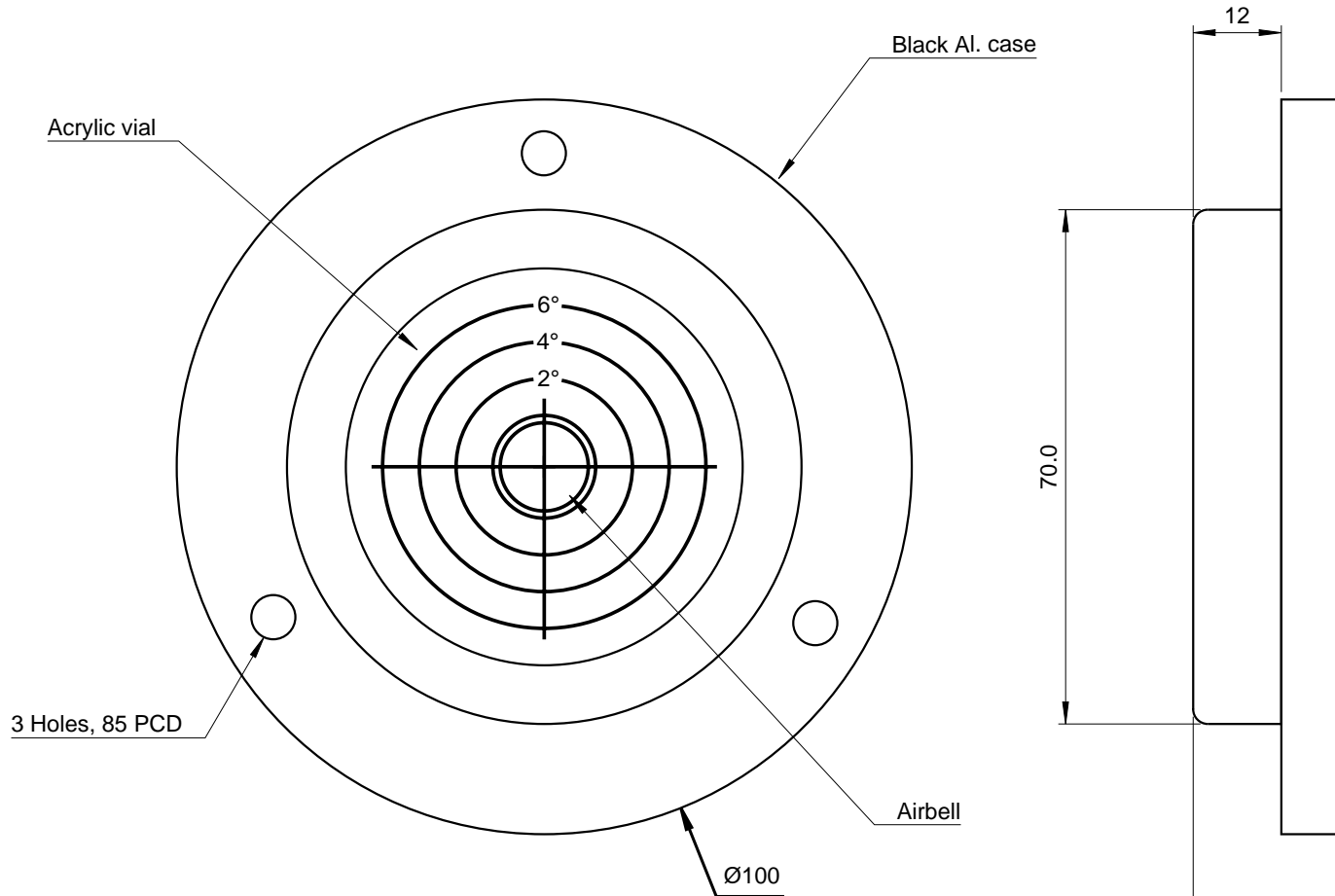
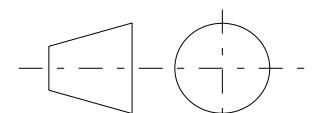


USED ON	SCALE <b>1:1</b>	TITLE <b>Circular level, 2°, 4° and 6° markings</b>	DRAWING NUMBER <b>5229/3</b>	
---------	---------------------	--	---------------------------------	--

ISSUE	AMENDMENT	DATE
-------	-----------	------



Vial sensitivity : 2° for 5mm airbell movement



FINISH <b>Black Anodised</b>	TOLERANCES UNLESS STATED OTHERWISE mm UNITS	<b>XX.</b> +/- 1.0	MATERIAL Aluminium case, plastic vial	<b>LEVEL DEVELOPMENTS</b> Croydon, Surrey, CRO 2DN	
		<b>XX.X</b> +/- 0.25			
		<b>XX.XX</b> +/- 0.1	DRAWN BY JHL	DATE 14/05/2001	