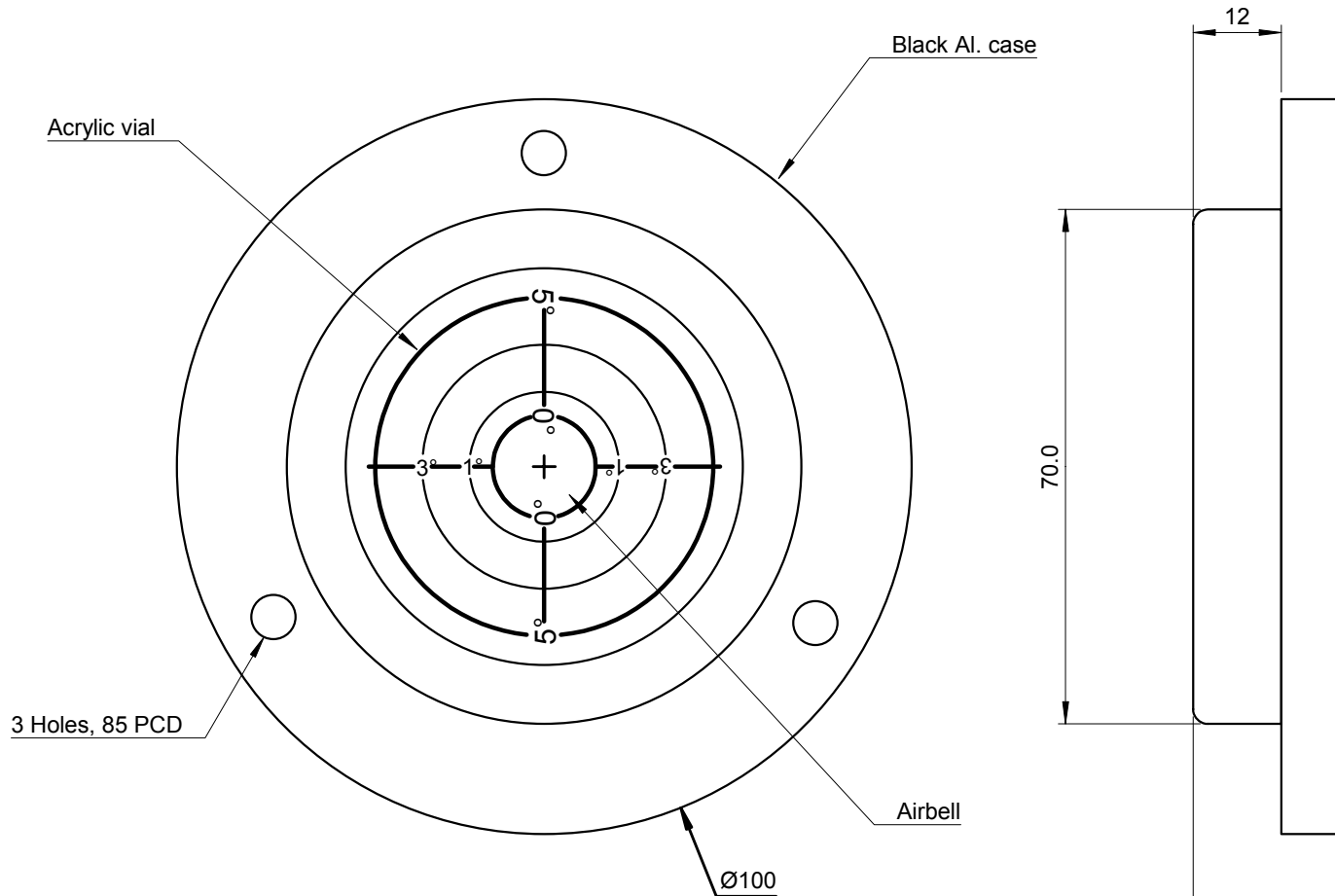
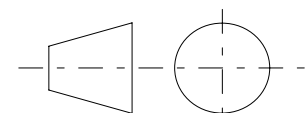


USED ON	SCALE 1:1	TITLE Circular level, 1°, 3° and 5° markings	DRAWING NUMBER 5229/4	
---------	--------------	---	--------------------------	--

ISSUE	AMENDMENT	DATE
-------	-----------	------



Sensitivity 1 degree per 3.2mm bubble movement.
Bubble $\varnothing 12\text{mm}$ @ 20°C



FINISH Black Anodised	TOLERANCES UNLESS STATED OTHERWISE mm UNITS	XX.	+/- 1.0	MATERIAL Aluminium case, plastic vial	LEVEL DEVELOPMENTS Croydon, Surrey, CRO 2DN
		XX.X	+/- 0.25		
		XX.XX	+/- 0.1	DRAWN BY JHL	DATE 14/05/2001