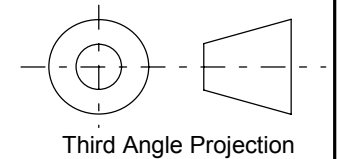
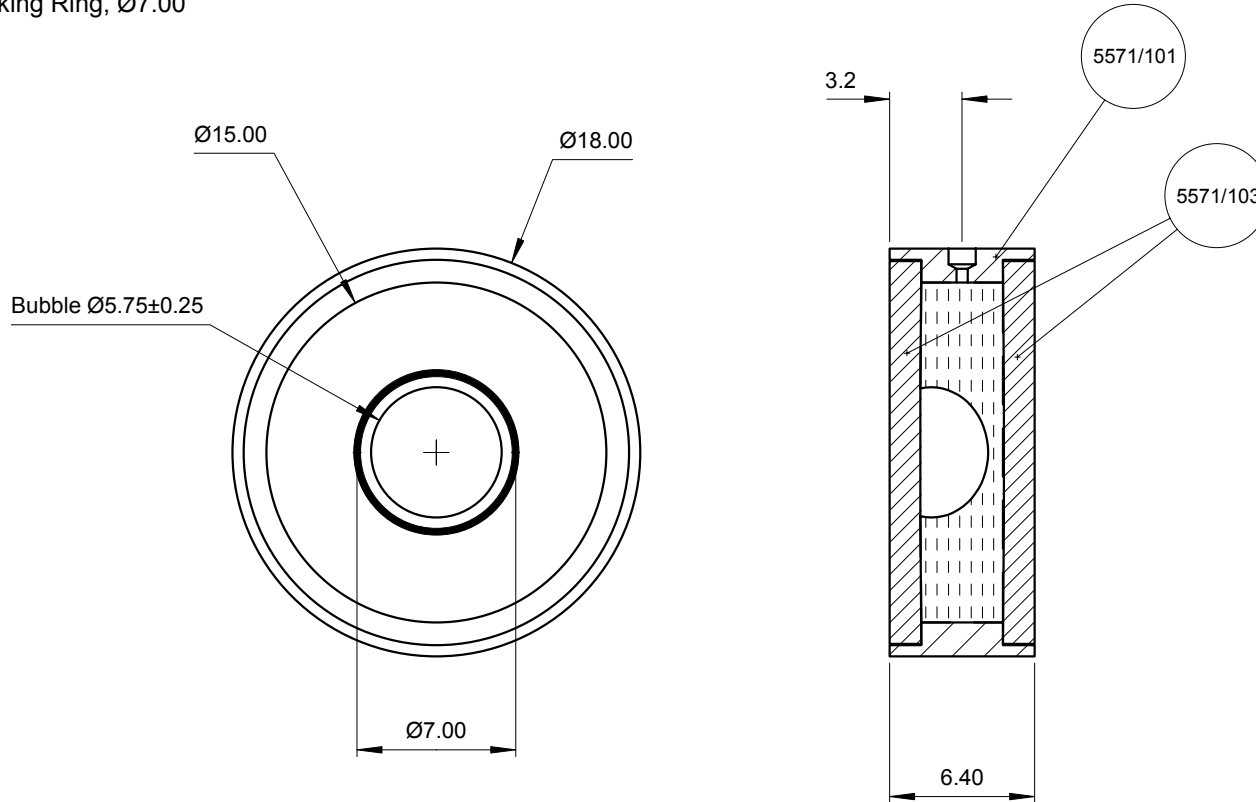


USED ON	SCALE 3:1	TITLE Circular vial, 18mm dia., 35'/2mm	DRAWING NUMBER 5571/2		
---------	--------------	--	--------------------------	--	--

ISSUE	AMENDMENT	DATE

Black Marking Ring, Ø7.00



FINISH	TOLERANCES UNLESS STATED OTHERWISE mm UNITS	<b>XX.</b> +/- 1.0 <b>XX.X</b> +/- 0.25 <b>XX.XX</b> +/- 0.1	MATERIAL Aluminium BS4300/5 2011T3	<b>LEVEL DEVELOPMENTS</b> Croydon, Surrey, CRO 2DN	
			DRAWN BY Martin Jones		