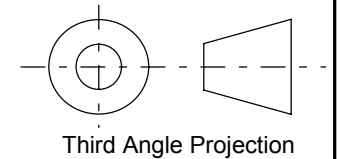
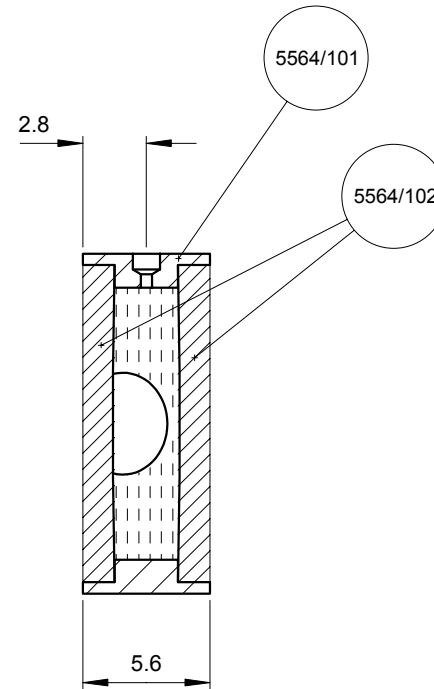
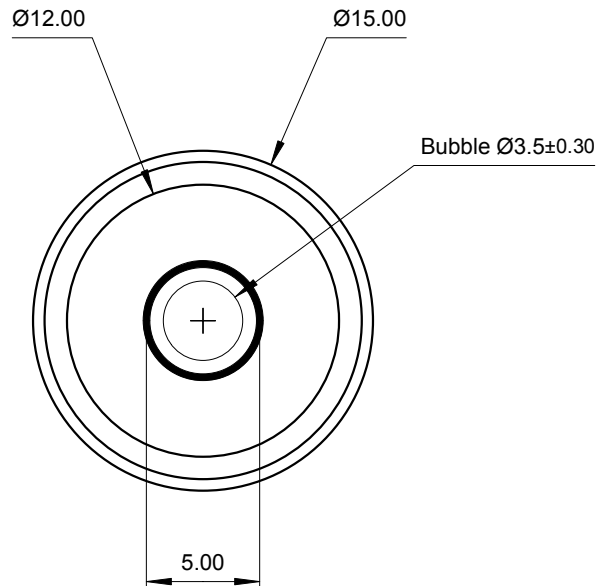


| | | | | | |
|---------|--------------|---|--------------------------|--|--|
| USED ON | SCALE 3:1 | TITLE Circular vial, 15mm, sensitivity 20'/2mm | DRAWING NUMBER 5581/1 | | |
|---------|--------------|---|--------------------------|--|--|

| | | |
|-------|-----------|------|
| ISSUE | AMENDMENT | DATE |
|-------|-----------|------|

Note:
Black Marking Ring : Ø5.00
Sensitivity : 20'/2mm



| | | | | |
|--------|--|--|--------------------------|---|
| FINISH | TOLERANCES UNLESS STATED OTHERWISE mm UNITS | XX. +/- 1.0 XX.X +/- 0.25 XX.XX +/- 0.1 | MATERIAL | LEVEL DEVELOPMENTS Croydon, Surrey, CRO 2DN |
| | | | DRAWN BY Martin Jones | |