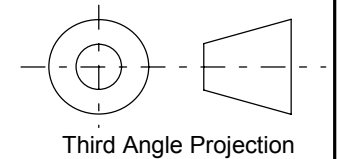
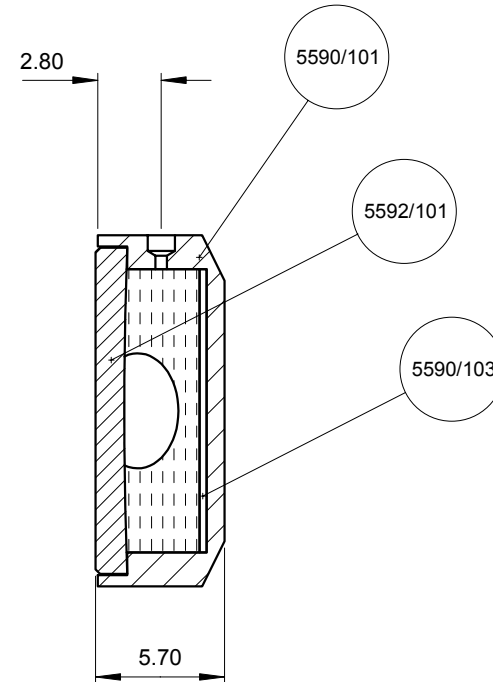
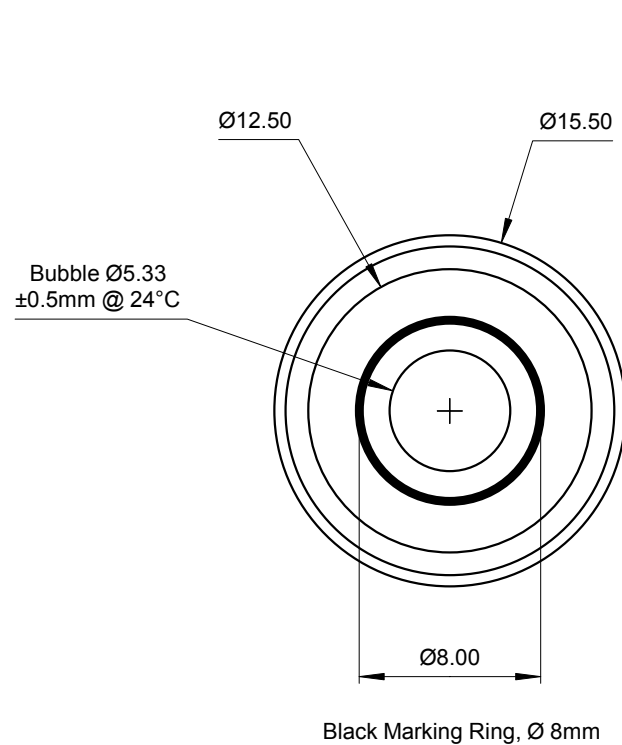


USED ON	SCALE 3:1	TITLE Circular vial 15.5mm dia, silver back, 20'0.1"	DRAWING NUMBER 5590/2		
---------	--------------	---	--------------------------	--	--

ISSUE	AMENDMENT	DATE



FINISH	TOLERANCES UNLESS STATED OTHERWISE mm UNITS	XX. +/- 1.0 XX.X +/- 0.25 XX.XX +/- 0.1	MATERIAL	LEVEL DEVELOPMENTS Croydon, Surrey, CRO 2DN	
			DRAWN BY Martin Jones		