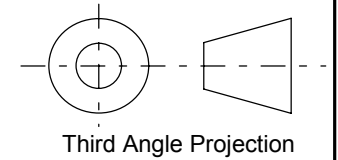
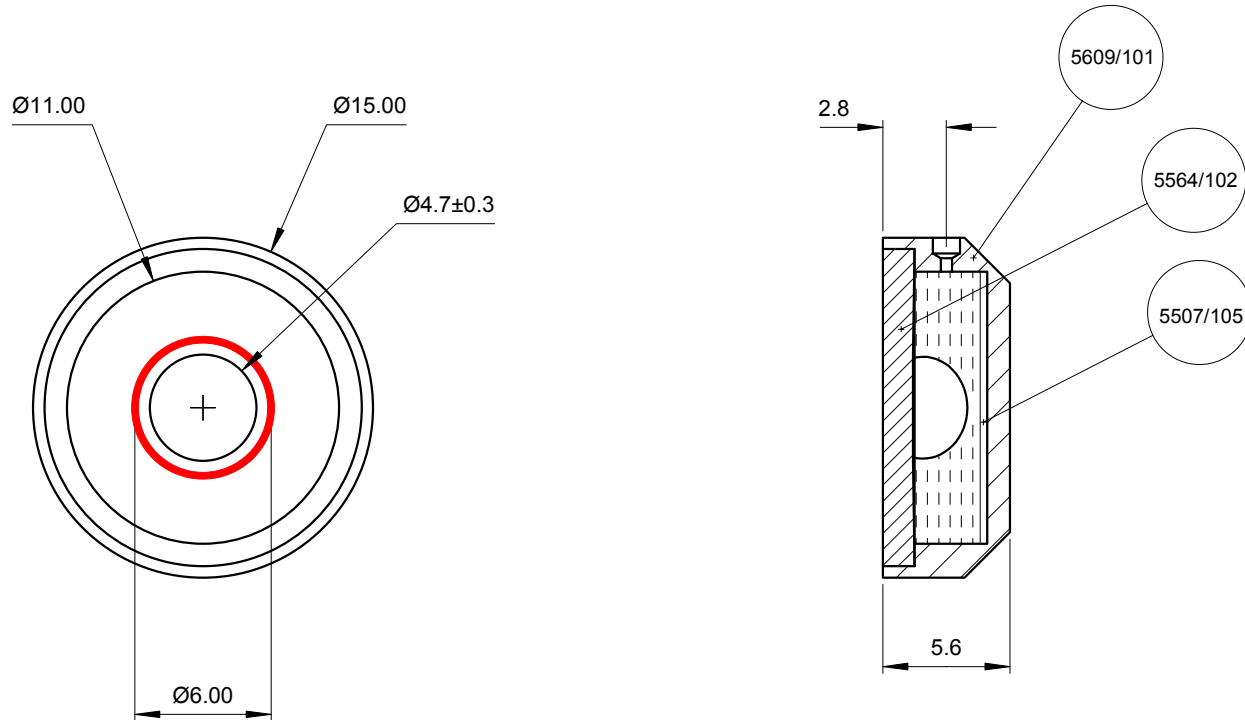


USED ON	SCALE <b>3:1</b>	TITLE <b>Circular vial, Ø15mm, sensitivity 20'/2mm</b>	DRAWING NUMBER <b>5609/1</b>		
---------	---------------------	---	---------------------------------	--	--

ISSUE	AMENDMENT	DATE
1	Internal Bore size reduced from Ø12 to Ø11mm	19/03/2008

Red Marking Ring, Ø6.00



FINISH	TOLERANCES UNLESS STATED OTHERWISE mm UNITS	<b>XX.</b> $\pm 1.0$ <b>XX.X</b> $\pm 0.25$ <b>XX.XX</b> $\pm 0.1$	MATERIAL	<b>LEVEL DEVELOPMENTS</b> Croydon, Surrey, CRO 2DN	
			DRAWN BY J.H.L		