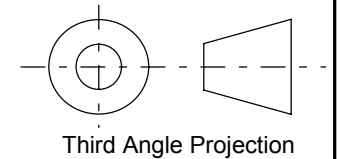
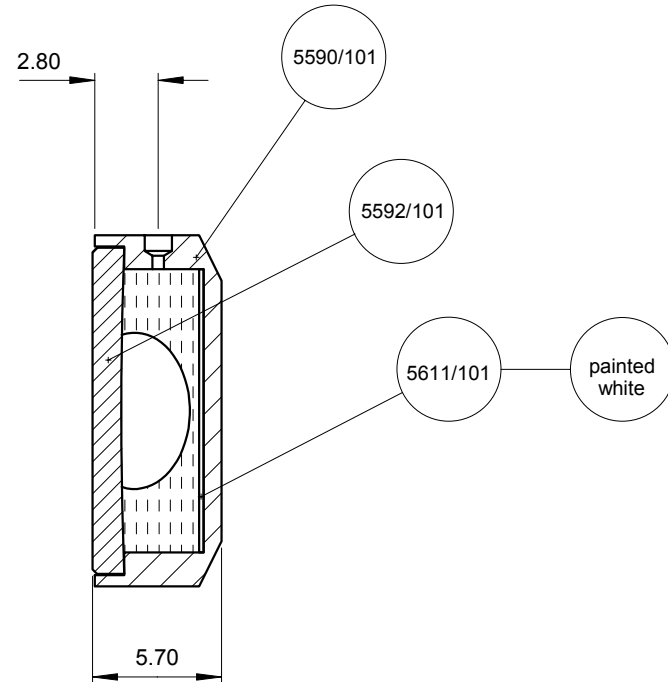
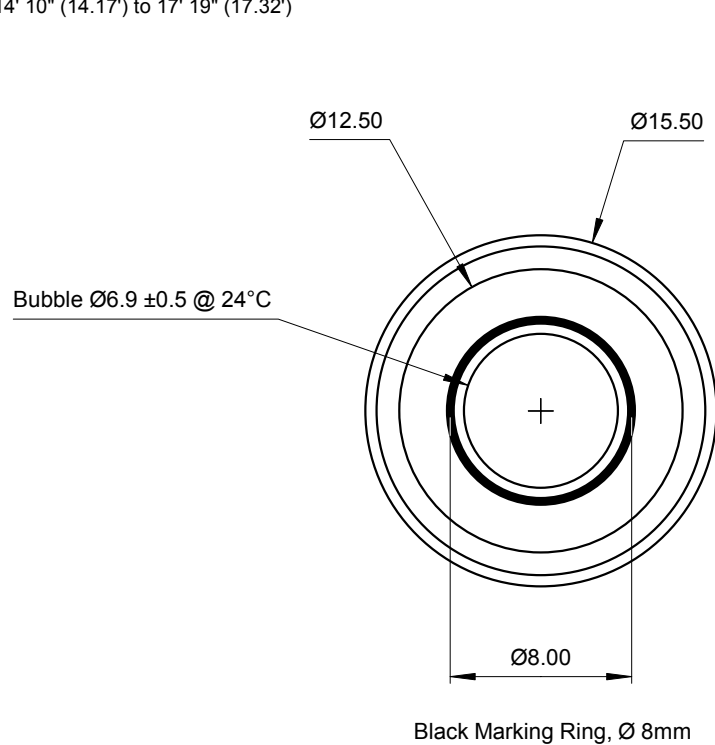


USED ON	SCALE 3:1	TITLE Circular vial 15.5mm dia, white back, 20'0.1"	DRAWING NUMBER 5611/1	
---------	--------------	--	--------------------------	--

ISSUE	AMENDMENT	DATE
1	Backing disc changed	18/11/2008

Note :
Sensitivity per 2mm bubble movement :
14' 10" (14.17') to 17' 19" (17.32')



FINISH Black Anodise	TOLERANCES UNLESS STATED OTHERWISE mm UNITS	XX. +/- 1.0 XX.X +/- 0.25 XX.XX +/- 0.1	MATERIAL Aluminium body, glass top	LEVEL DEVELOPMENTS Croydon, Surrey, CRO 2DN
			DRAWN BY Martin Jones	