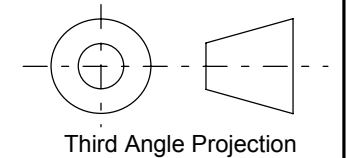
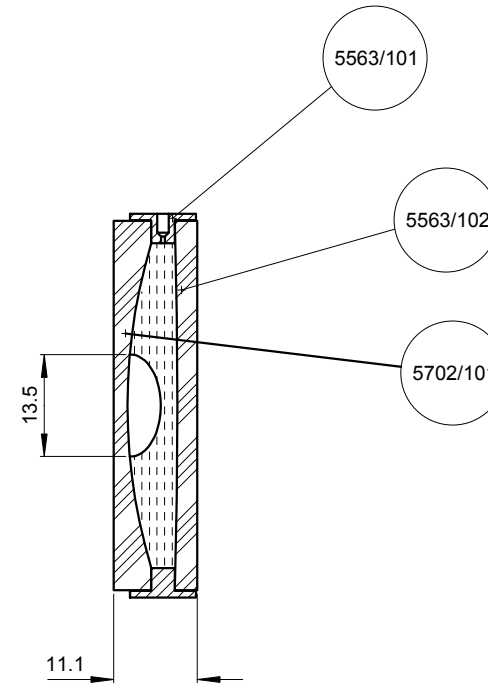
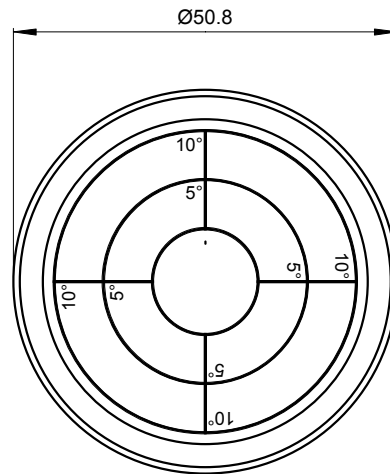


USED ON	SCALE 1:1	TITLE Circular vial, Ø50.8, range 10°	DRAWING NUMBER 5702/1
---------	--------------	--	--------------------------

ISSUE	AMENDMENT	DATE
0	Opened for production	

Notes:
 Marking rings printed on inside surface
 Bubble size : 13.5mm±0.2mm at 20°C.
 Clear n-Heptane Filling



FINISH	TOLERANCES UNLESS STATED OTHERWISE mm UNITS	XX. +/- 1.0 XX.X +/- 0.25 XX.XX +/- 0.1	MATERIAL Aluminium housing, glass discs	LEVEL DEVELOPMENTS Croydon, Surrey, CRO 2DN
			DRAWN BY M. Jones	