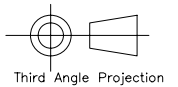
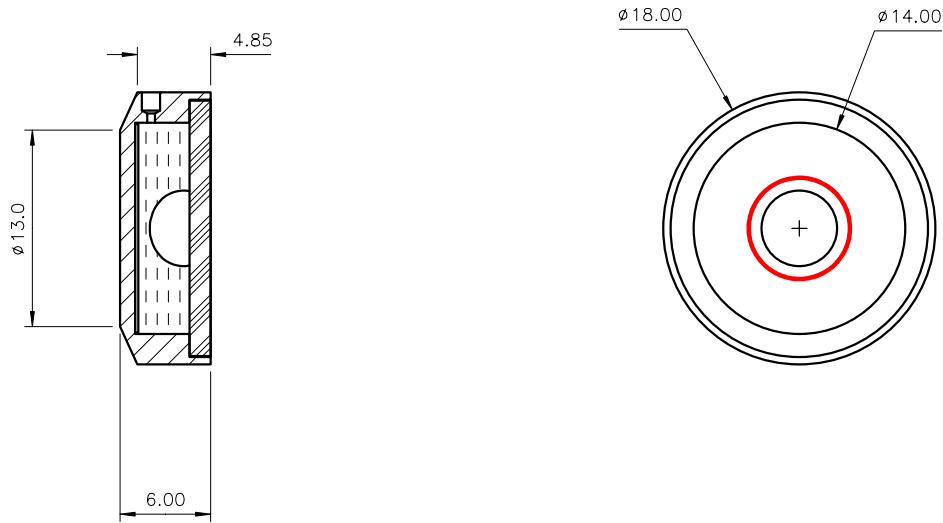


Used On	Scale 2:1	Title MV18 Type Circular Vial – 10'/2mm	Drawing Number 5809/1	
---------	--------------	--	--------------------------	--

Issue	Amendment	Date
-------	-----------	------

Note:

Sensitivity : 10'/2mm bubble movement ($\pm 2'$)
Centre Ring : $\phi 7.0\text{mm} \pm 0.1$ external diameter
Colour : Red
Line Thickness : 0.3mm
Bubble : $\phi 5.0 \pm 0.3$ @20°C
Filling liquid: Heptane (Clear)



Third Angle Projection

Finish Etch and black anodise to LD process specification	Tolerances Unless Stated Otherwise (mm units)	XX. ±1.0	Material Aluminium housing, glass lens	Level Developments Ltd	
		XX.X ±0.25		Drawn By Martin Jones	Date 17/03/2009
		XX.XX ±0.1			