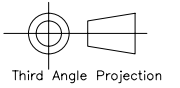
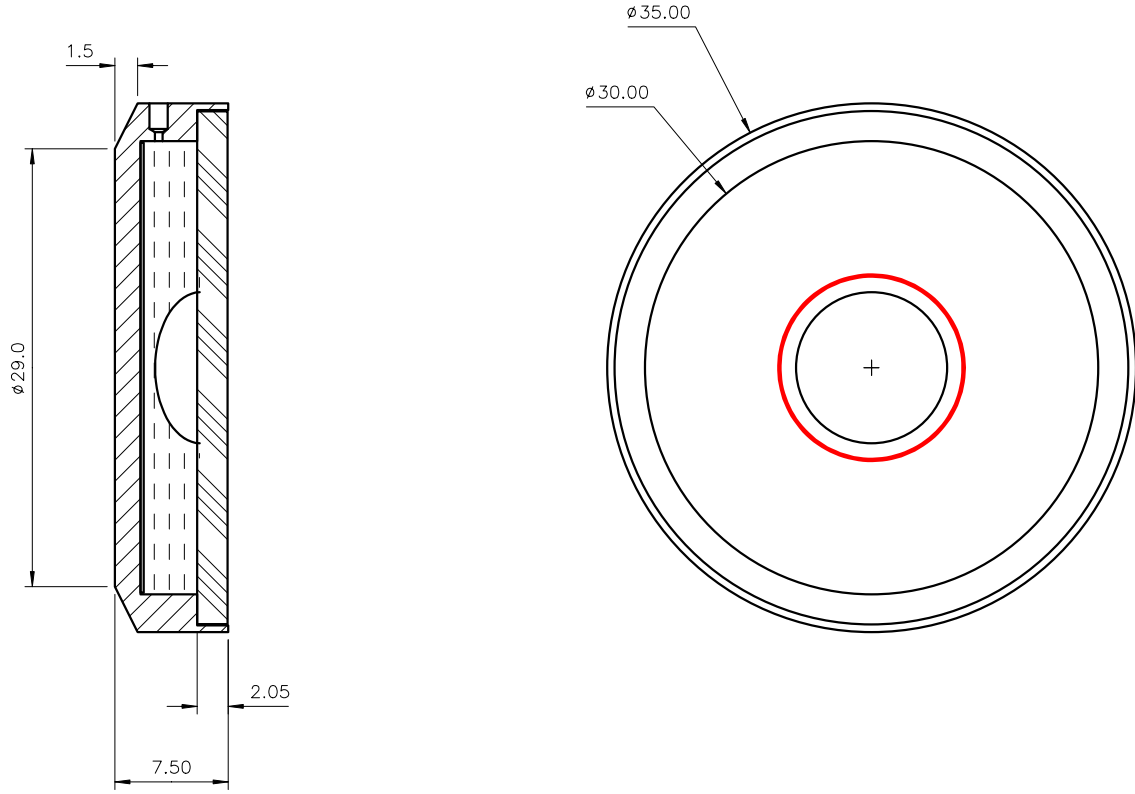


Used On	Scale 2:1	Title MV35 Circular Vial, sens 10'/2mm	Drawing Number 5823/1
---------	--------------	---	--------------------------

Issue	Amendment	Date
-------	-----------	------

Note:

Sensitivity : 10'/2mm bubble movement ($\pm 2'$)
Centre Ring : $\phi 12.5\text{mm} \pm 0.1$ external diameter
Colour : Red
Line Thickness : 0.3mm
Bubble : $\phi 10.0 \pm 0.3$ @20°C
Liquid : n-Heptane



Finish Black anodised	Tolerances Unless Stated Otherwise (mm units)	XX. ± 1.0	Material Aluminium housing, glass disc	Level Developments Ltd	
		XX.X ± 0.25		Drawn By Martin Jones	Date 07/05/2009
		XX.XX ± 0.1			