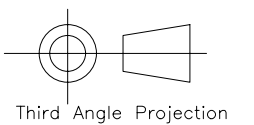
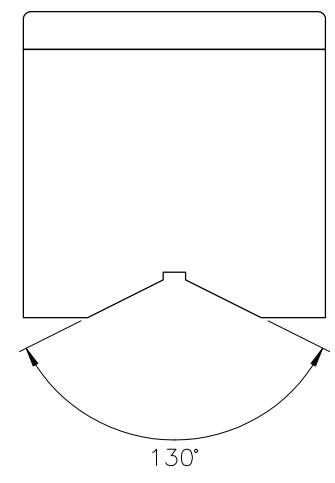
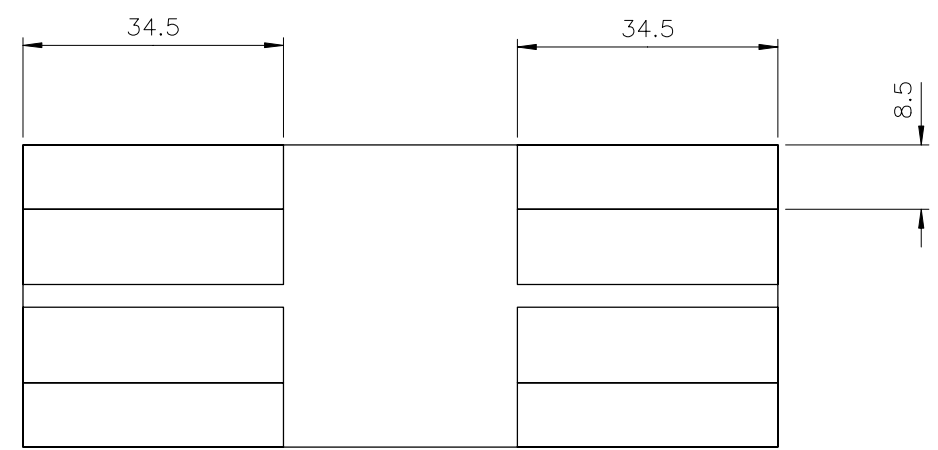
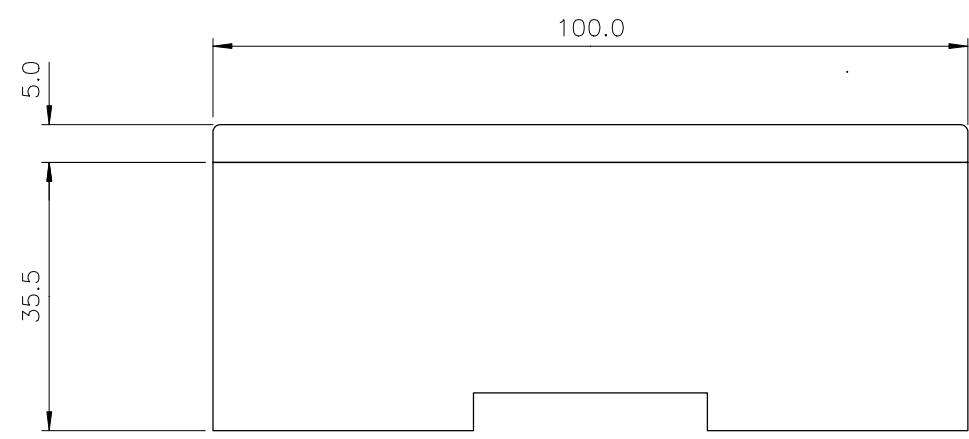
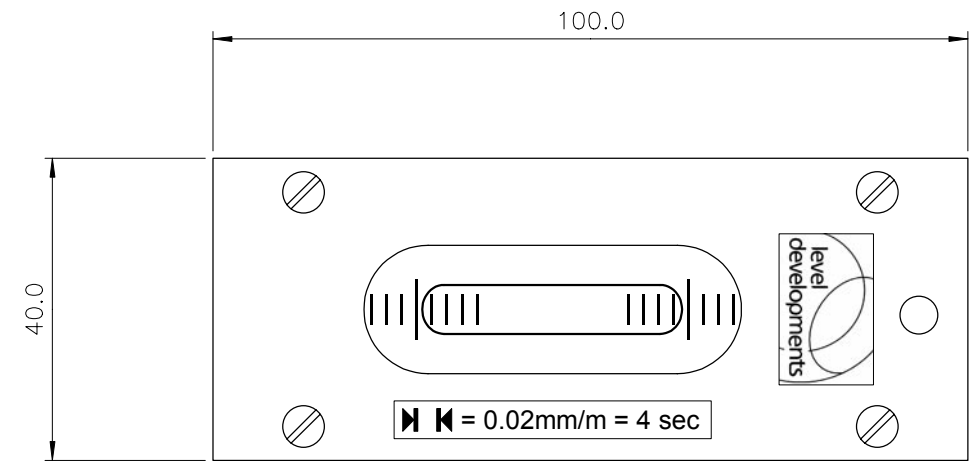


Used On 61R x 100mm	Scale 1:1	Title Outline drawing of 61R 100mm Eng Level	Drawing Number 5850/101	
------------------------	--------------	---	----------------------------	--

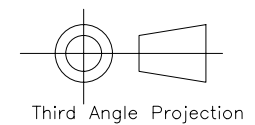
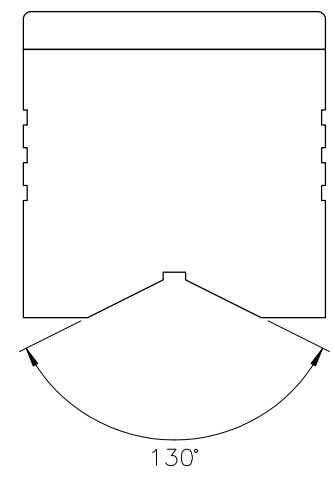
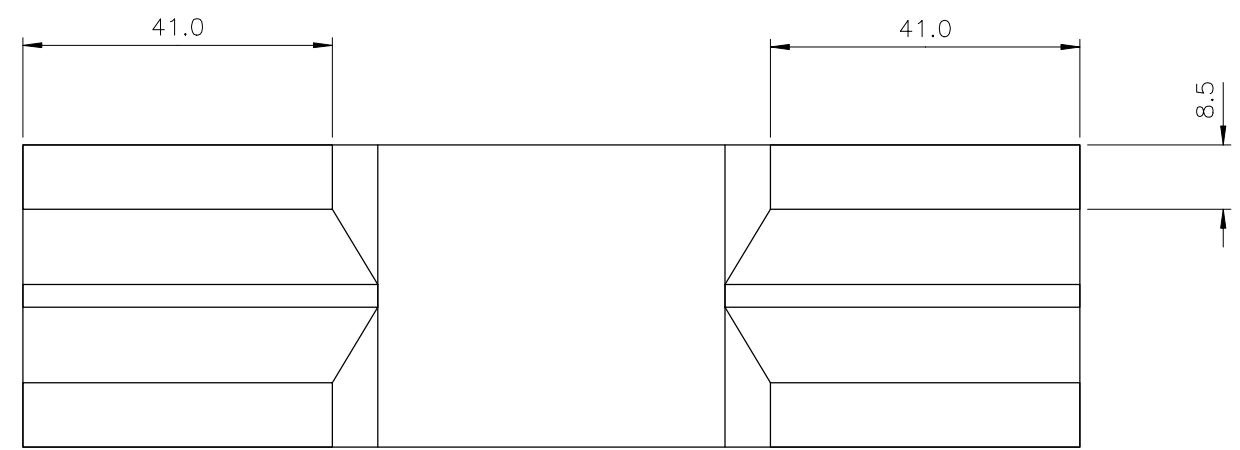
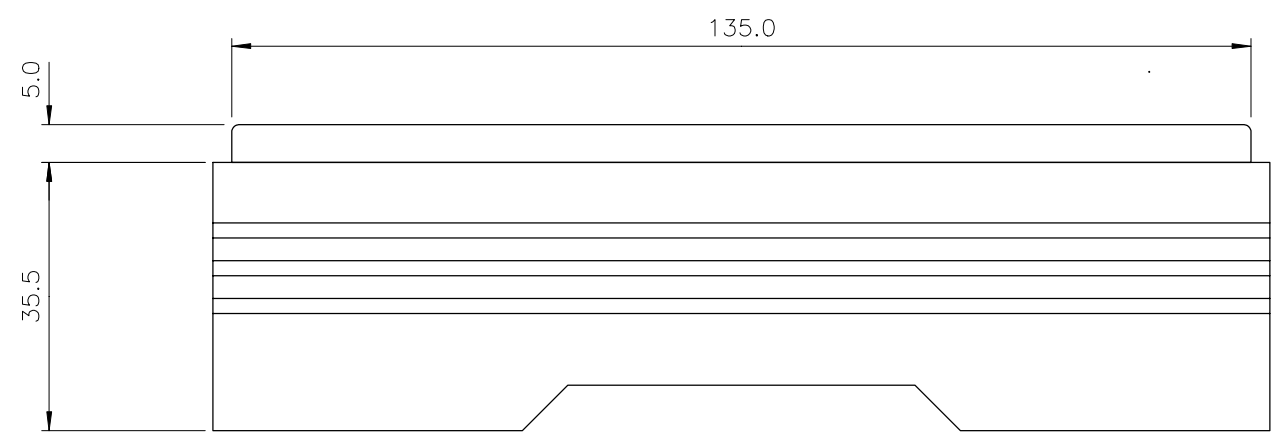
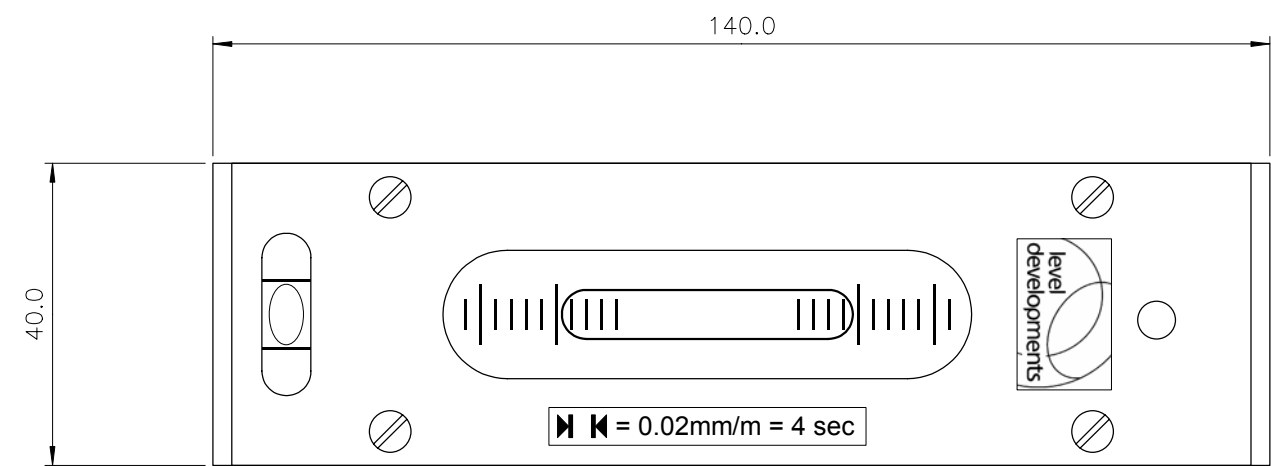
Issue	Amendment	Date
-------	-----------	------



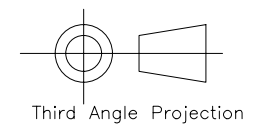
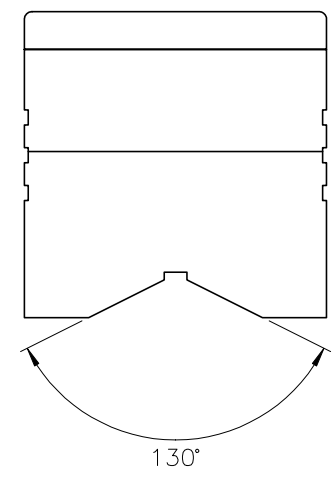
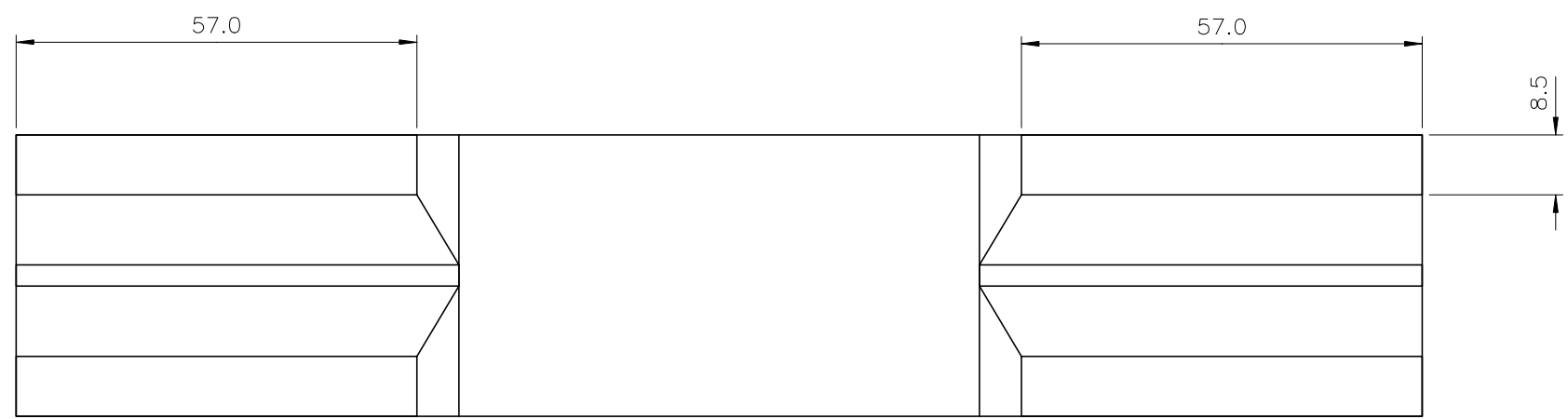
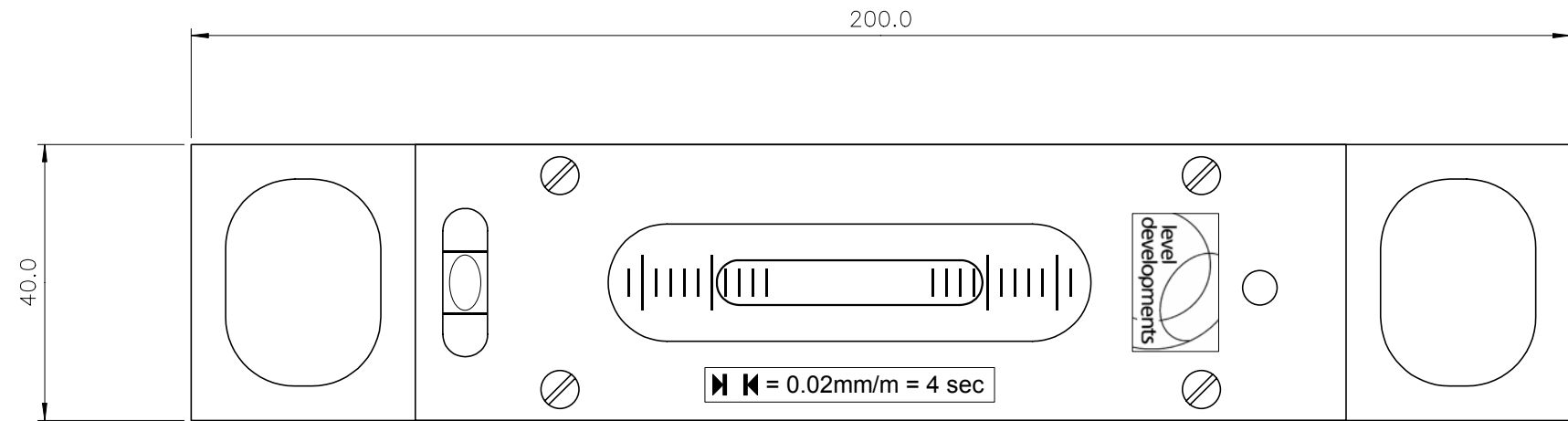
Finish Hammer paint	Tolerances Unless Stated Otherwise (mm Units)	XX. +/- 1.0	Material Cast Iron Body, plastic cover, glass vial	Level Developments Ltd Croydon, Surrey, CR0 2DN t.+44 (0)20 8684 1400	
		XX.X +/- 0.25			
		XX.XX +/- 0.1	Drawn By JHL	Date 22/03/2007	

Used On 61R x 140mm	Scale 1:1	Title Outline drawing of 61R 140mm Eng Level	Drawing Number 5850/102	
------------------------	--------------	---	----------------------------	--

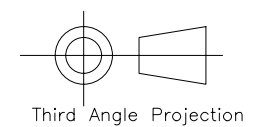
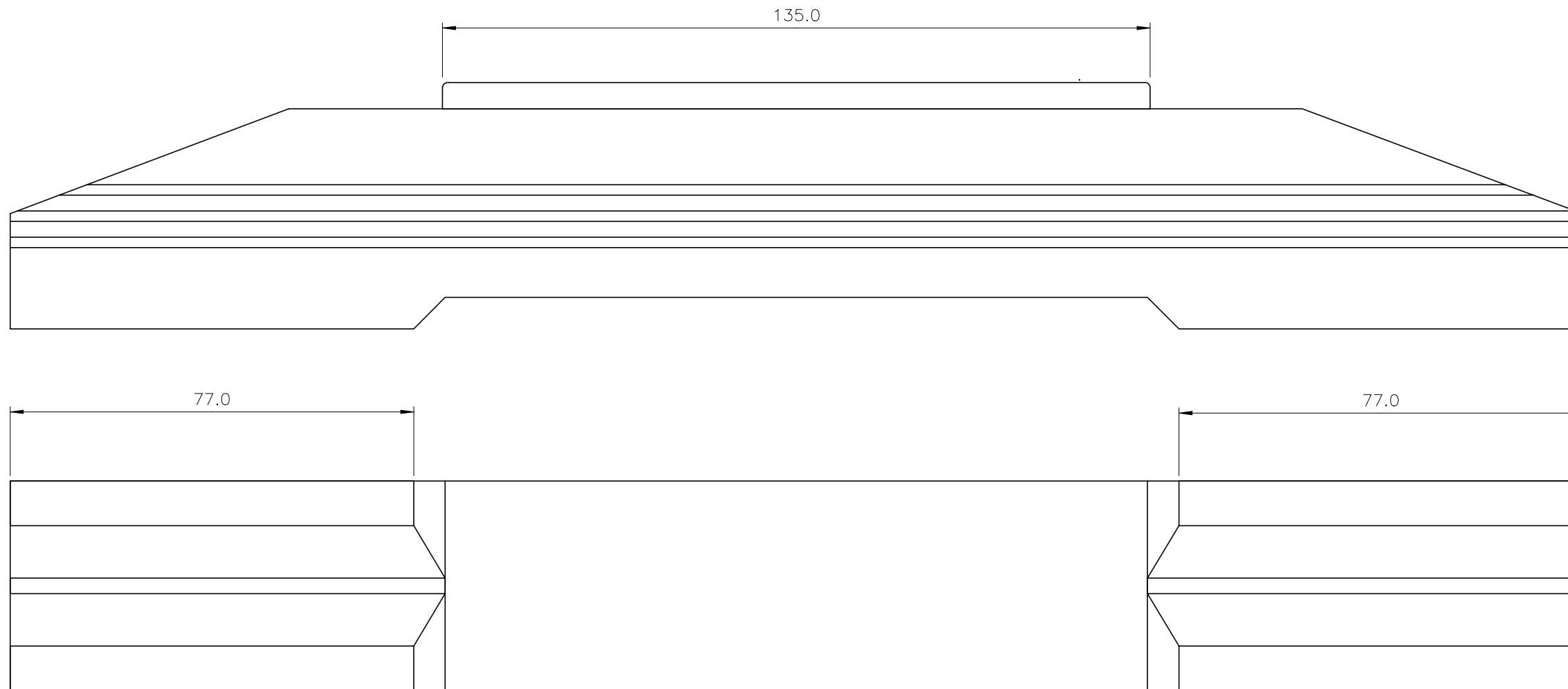
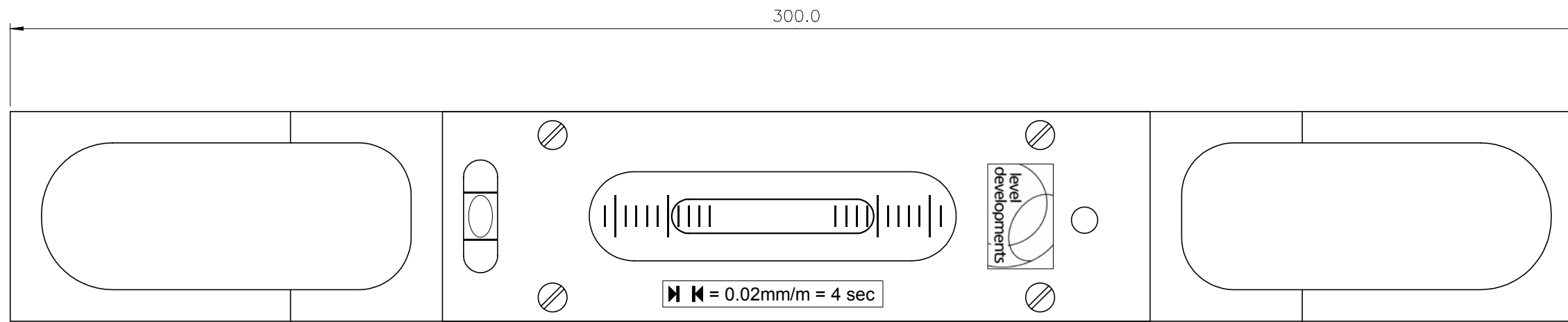
Issue	Amendment	Date
-------	-----------	------



Finish Hammer paint	Tolerances Unless Stated Otherwise (mm Units)	XX. +/- 1.0	Material Cast Iron Body, plastic cover, glass vial	Level Developments Ltd Croydon, Surrey, CR0 2DN t.+44 (0)20 8684 1400	
		XX.X +/- 0.25			
		XX.XX +/- 0.1			

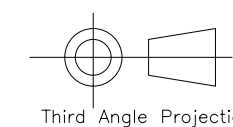
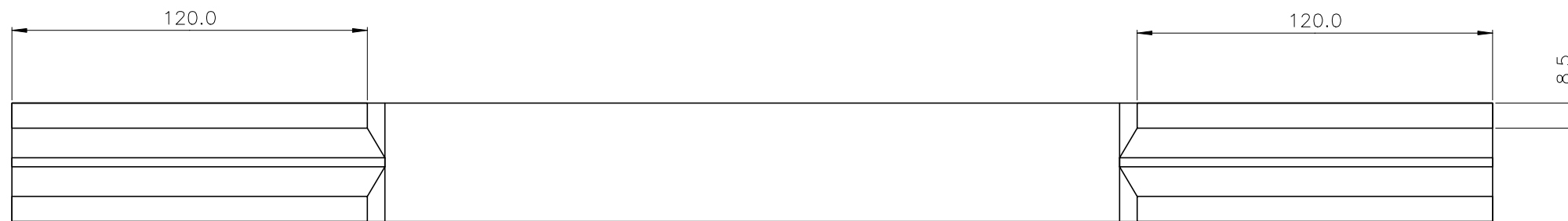
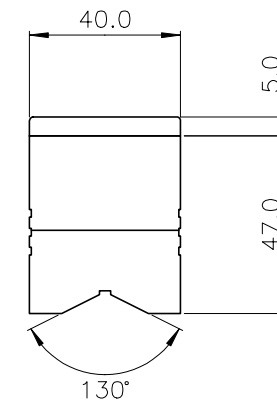
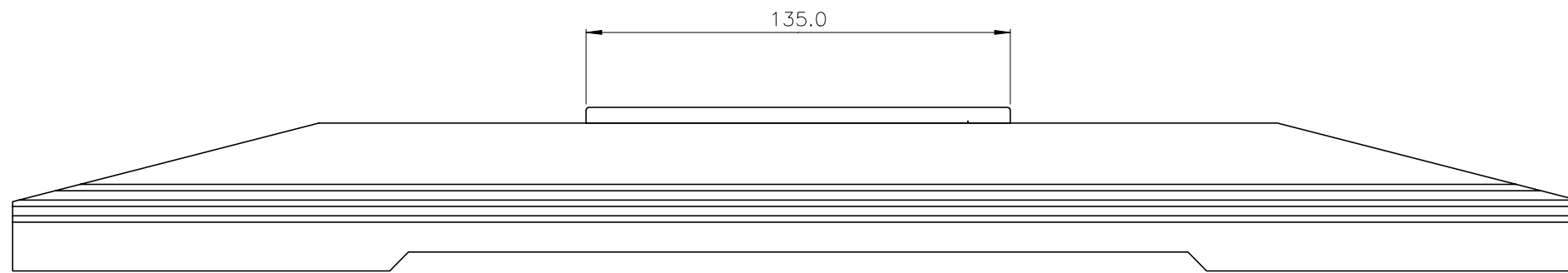
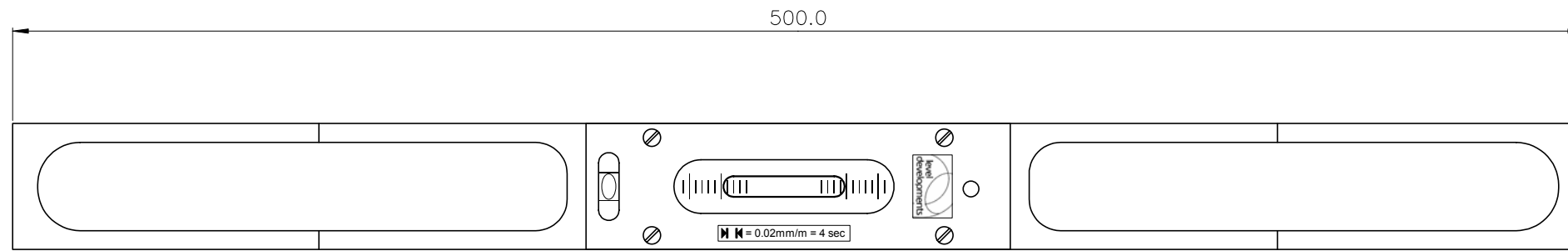


Used On 61R x 300mm	Scale 1:1	Title Outline drawing of 61R 300mm Eng Level	Drawing Number 5850/104		
			Issue	Amendment	Date



Finish Hammer paint	Tolerances Unless Stated Otherwise (mm Units)	XX. +/- 1.0	Material Cast Iron Body, plastic cover, glass vial	Level Developments Ltd Croydon, Surrey, CR0 2DN t.+44 (0)20 8684 1400	
		XX.X +/- 0.25			
		XX.XX +/- 0.1	Drawn By JHL	Date 22/03/2007	

Used On 61R x 500mm	Scale 1:2	Title Outline drawing of 61R 500mm Eng Level	Drawing Number 5850/105		
			Issue	Amendment	Date



Finish Hammer paint	Tolerances Unless Stated Otherwise (mm Units)	XX. +/- 1.0	Material Cast Iron Body, plastic cover, glass vial	Level Developments Ltd Croydon, Surrey, CR0 2DN t.+44 (0)20 8684 1400	
		XX.X +/- 0.25			
	XX.XX +/- 0.1	Drawn By JHL	Date 22/03/2007		