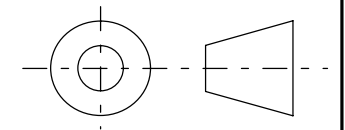
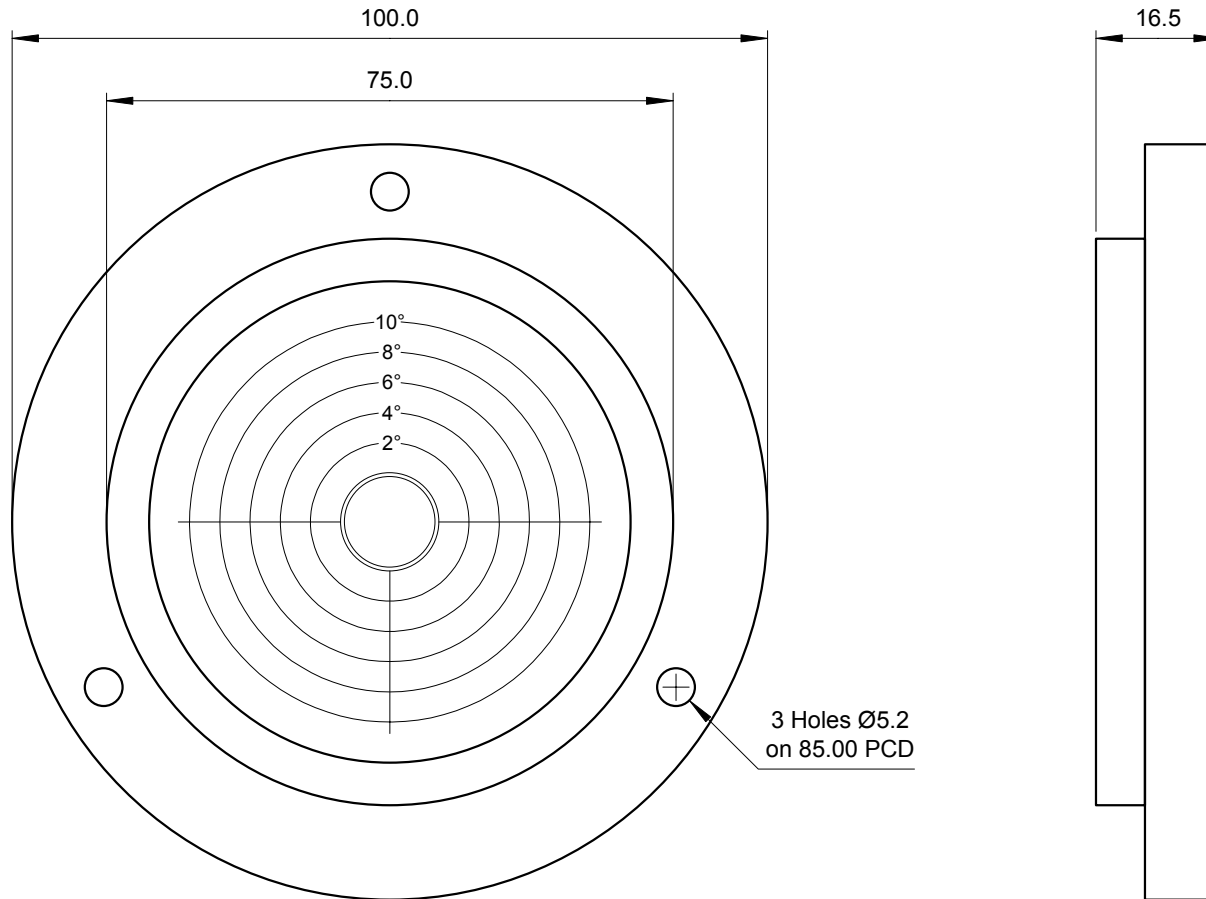


USED ON	SCALE 1:1	TITLE Circular level, 100mm dia. 10°	DRAWING NUMBER AVF100/10	
---------	--------------	---	-----------------------------	--

ISSUE	AMENDMENT	DATE
-------	-----------	------

Note:  
Vial sensitivity : 2° for 4mm airbell movement



FINISH	TOLERANCES UNLESS STATED OTHERWISE mm UNITS	<b>XX.</b> +/- 1.0 <b>XX.X</b> +/- 0.25 <b>XX.XX</b> +/- 0.1	MATERIAL <b>Acrylic</b>	<b>LEVEL DEVELOPMENTS</b> Croydon, Surrey, CRO 2DN	
			DRAWN BY J.H.L		