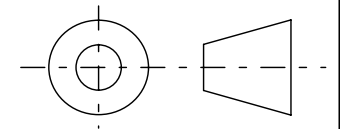
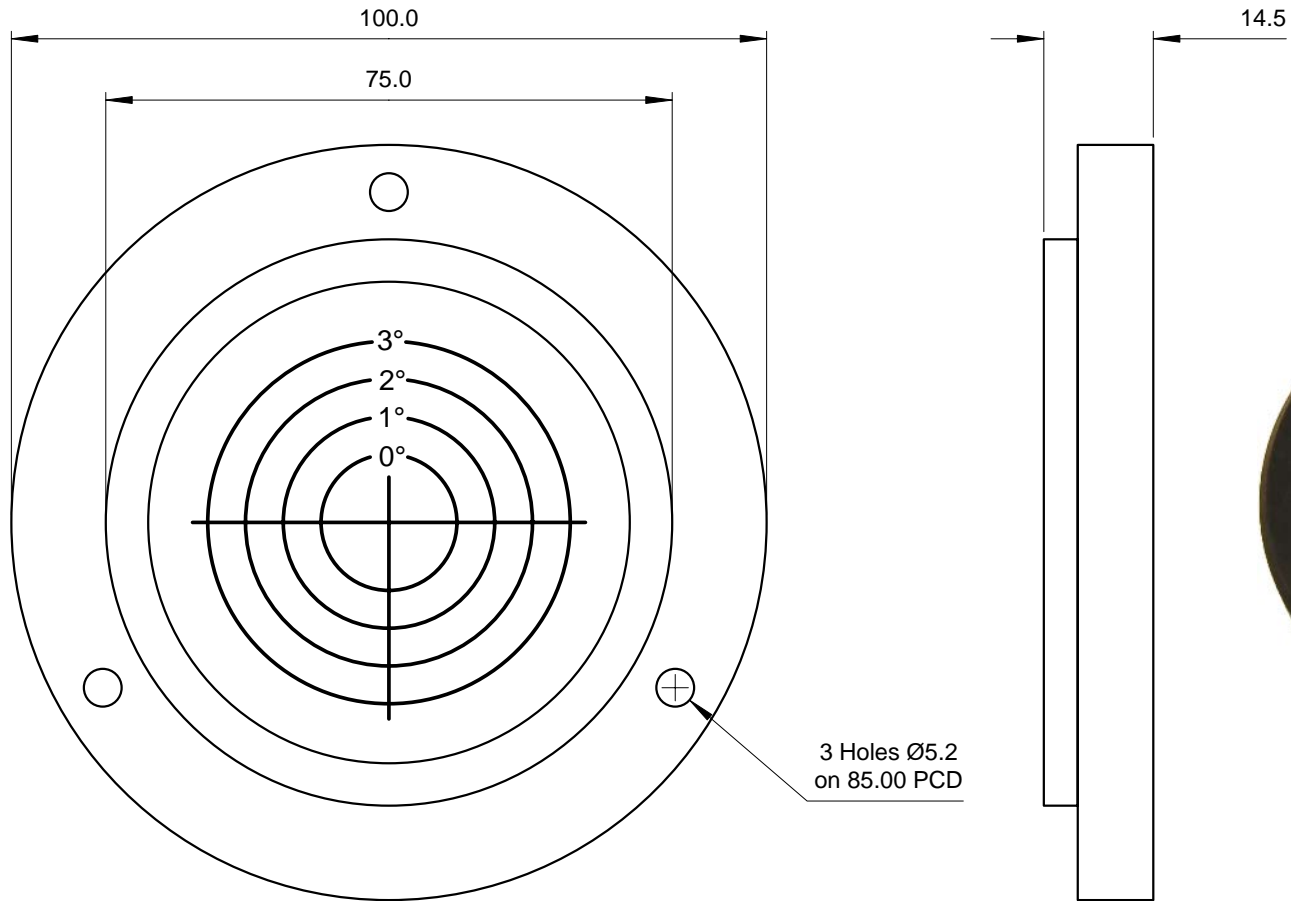


USED ON	SCALE 1:1	TITLE Circular level, 100mm dia. 3°	DRAWING NUMBER AVF100/3	
---------	--------------	--	----------------------------	--

ISSUE	AMENDMENT	DATE
-------	-----------	------

Note:
Vial sensitivity : 1° for 5mm airbell movement



FINISH	TOLERANCES UNLESS STATED OTHERWISE mm UNITS	XX. +/- 1.0 XX.X +/- 0.25 XX.XX +/- 0.1	MATERIAL Acrylic	LEVEL DEVELOPMENTS Croydon, Surrey, CRO 2DN	
			DRAWN BY J.H.L		