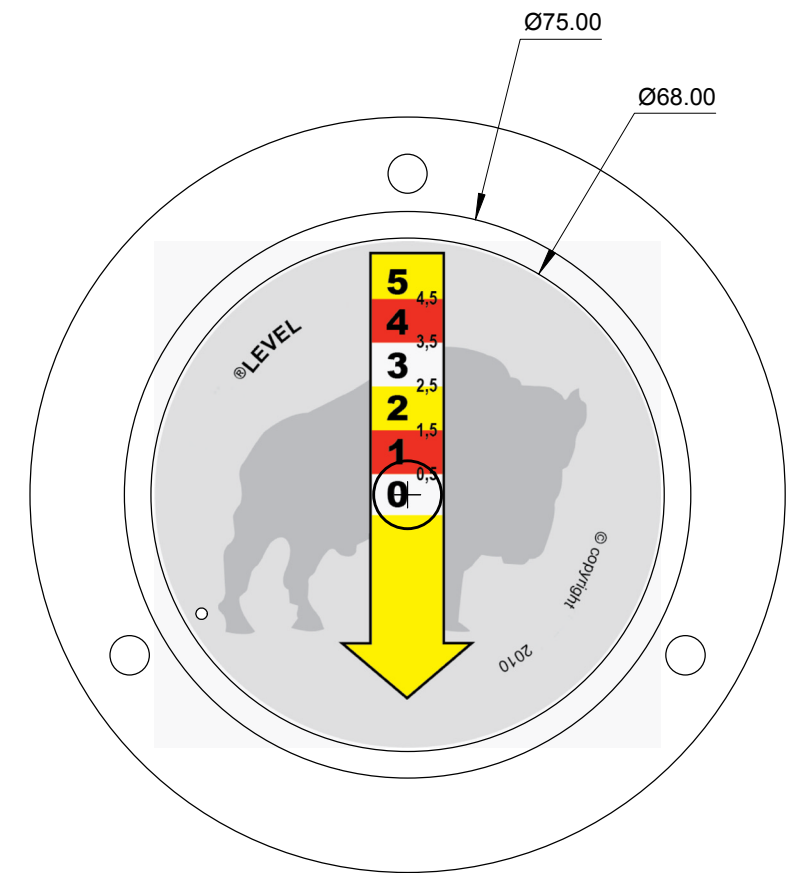
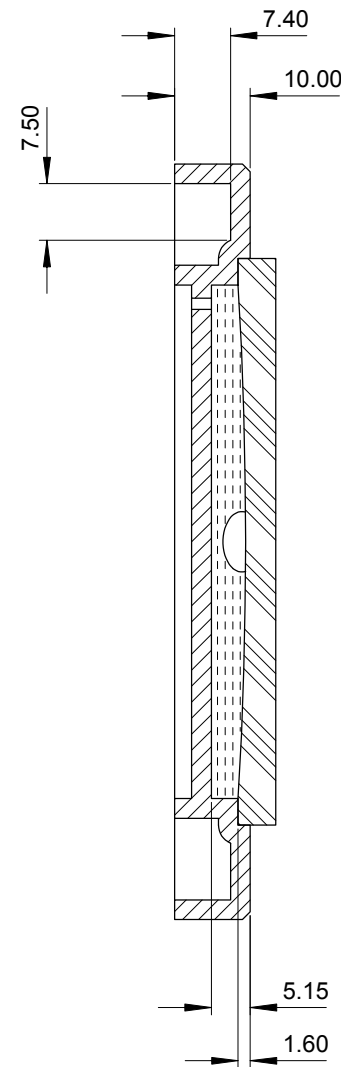
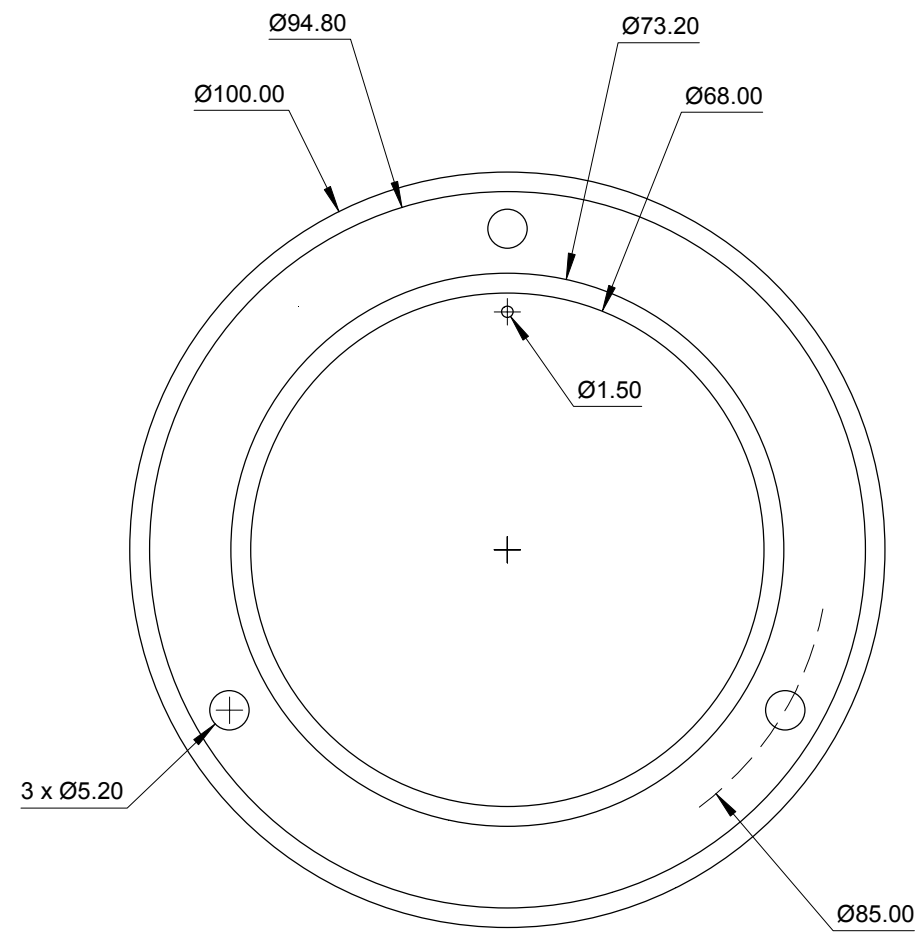


USED ON	SCALE 1:1	TITLE AVF100 Type Level, with 5% Coloured Markings	DRAWING NUMBER 5767/1		
---------	--------------	---	--------------------------	--	--

ISSUE	AMENDMENT	DATE

Note:

Sensitivity : 1% = 5.8mm bubble movement
Bubble size, Ø9-10mm



FINISH	TOLERANCES UNLESS STATED OTHERWISE (MM UNITS)	XX. ± 1.0	MATERIAL Black Acrylic base, clear acrylic top	LEVEL DEVELOPMENTS Croydon, Surrey, CRO 2DN	
		XX.X ± 0.25			
	XX.XX ± 0.1	DRAWN BY M. Jones	DATE 07/07/2008		