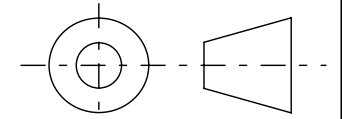
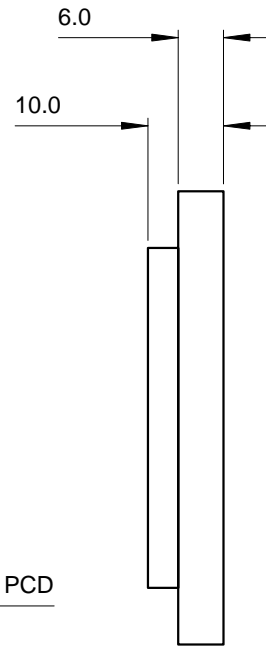
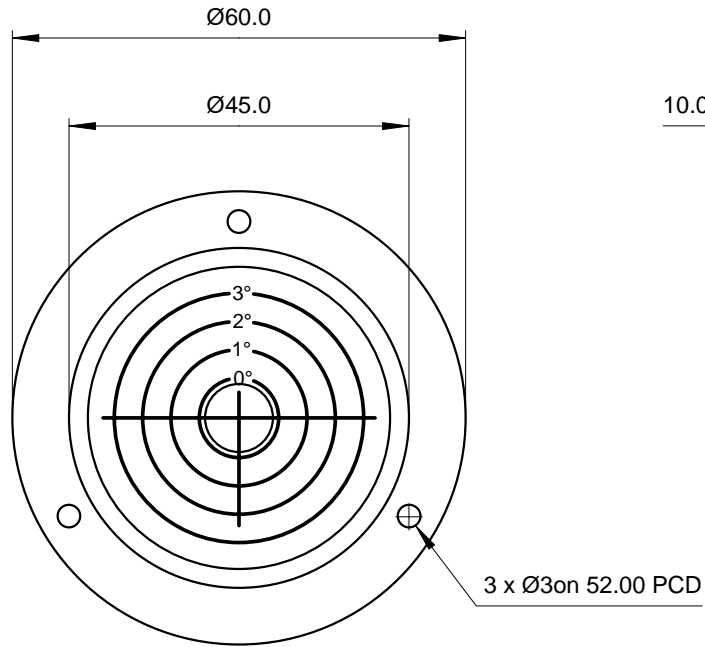


|         |                     |  |                                  |  |
|---------|---------------------|--|----------------------------------|--|
| USED ON | SCALE<br><b>1:1</b> | TITLE<br><b>Circular level, 60mm dia. 3°</b> | DRAWING NUMBER<br><b>AVF60/3</b> |  |
|---------|---------------------|--|----------------------------------|--|

|       |           |      |
|-------|-----------|------|
| ISSUE | AMENDMENT | DATE |
|-------|-----------|------|

Vial sensitivity : 1° for 3.75mm airbell movement



Third Angle Projection

|        |  |  |                                  |   |
|--------|--|--|----------------------------------|---|
| FINISH | TOLERANCES<br>UNLESS STATED<br>OTHERWISE<br>mm UNITS | <b>XX.</b> +/- 1.0<br><b>XX.X</b> +/- 0.25<br><b>XX.XX</b> +/- 0.1 | MATERIAL<br><b>White Acrylic</b> | <b>LEVEL DEVELOPMENTS</b><br>Croydon, Surrey, CRO 2DN |
|        |  |  | DRAWN BY<br>J.H.L                |   |