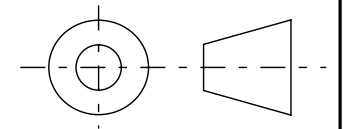
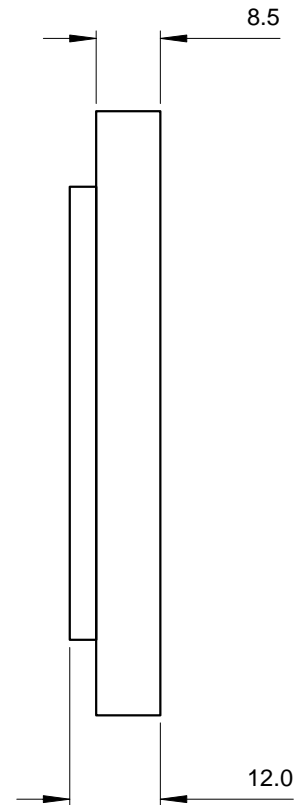
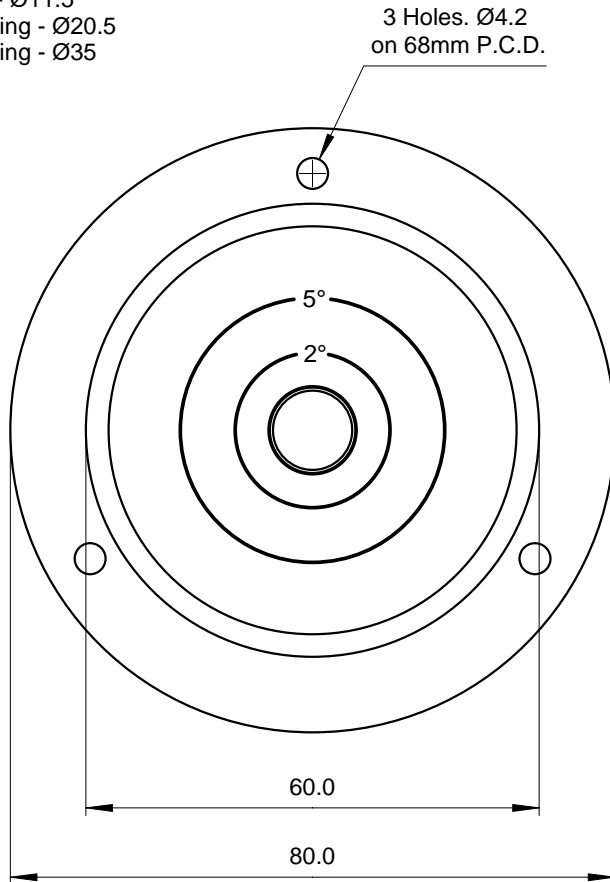


USED ON	SCALE 1:1	TITLE Circular level, 0-2-5 degrees	DRAWING NUMBER AVF80/5	
---------	--------------	--	---------------------------	--

ISSUE	AMENDMENT	DATE
-------	-----------	------

Note :
Bubble - Ø10.5mm @ 20°C
Marking lines :
Centre ring - Ø11.5
2° marking ring - Ø20.5
5° marking ring - Ø35



FINISH	TOLERANCES UNLESS STATED OTHERWISE mm UNITS	XX. +/- 1.0 XX.X +/- 0.25 XX.XX +/- 0.1	MATERIAL Acrylic	LEVEL DEVELOPMENTS Croydon, Surrey, CRO 2DN
			DRAWN BY J.H.L	