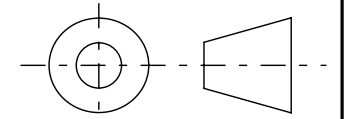
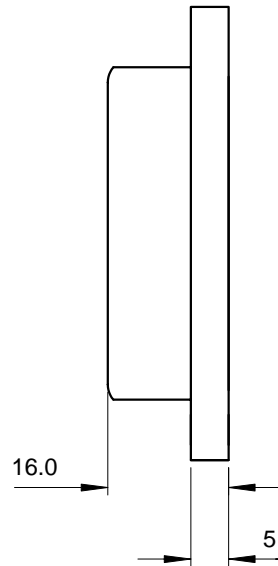
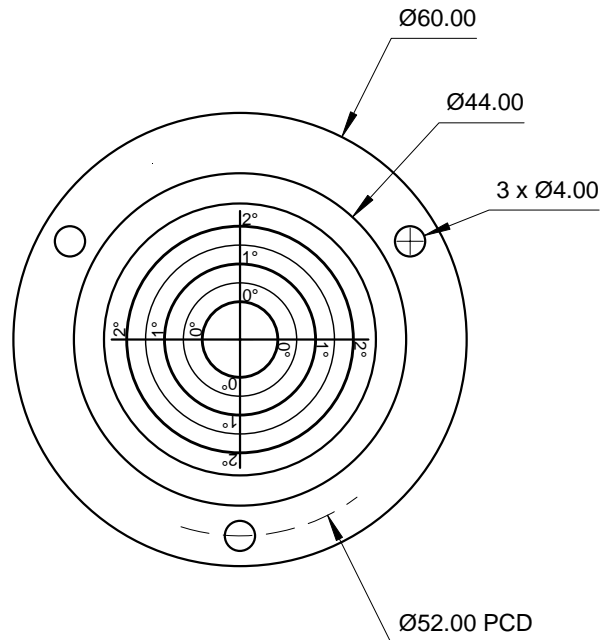


USED ON	SCALE 1:1	TITLE Circular Bullseye Spirit Level - Chrome Finish	DRAWING NUMBER CG60/2DEG		
			ISSUE	AMENDMENT	DATE

Sensitivity 1°=5mm bubble movement



Third Angle Projection

FINISH Polish and Chrome plate	TOLERANCES UNLESS STATED OTHERWISE (MM UNITS) XX. ± 1.0 XX.X ± 0.25 XX.XX ± 0.1	MATERIAL Brass case, glass vial	LEVEL DEVELOPMENTS Croydon, Surrey, CRO 2DN	
		DRAWN BY J.H.L		