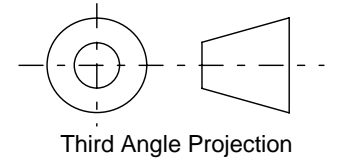
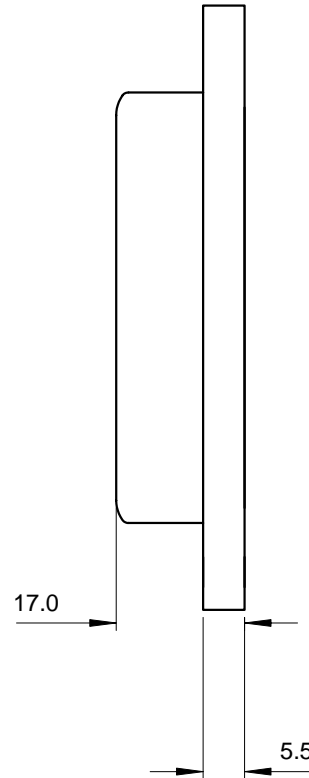
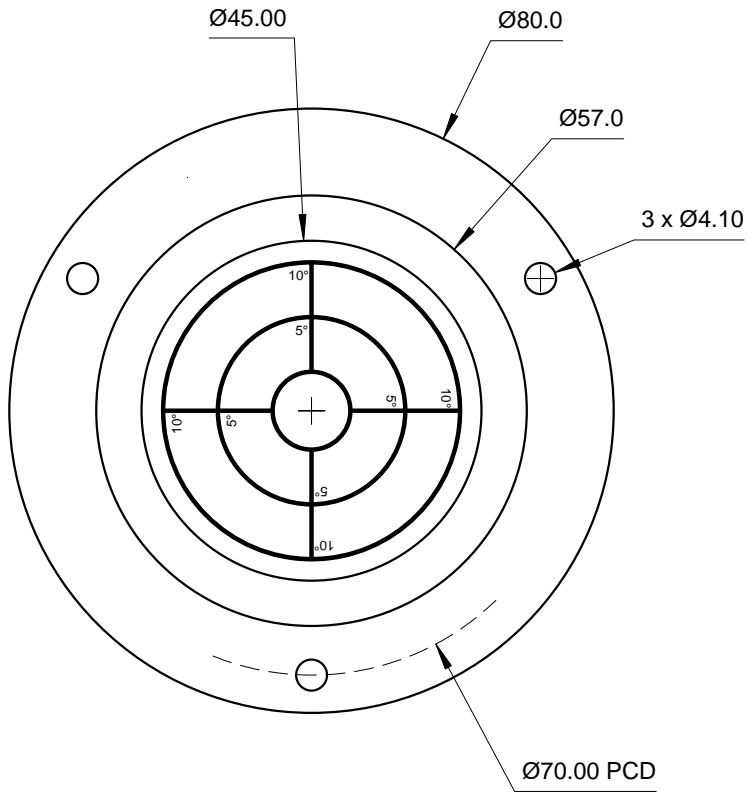


USED ON	SCALE 1:1	TITLE Circular Spirit Level, Range 10 degrees	DRAWING NUMBER CG80/10deg		
			ISSUE	AMENDMENT	DATE



FINISH Polish and Chrome plate	TOLERANCES UNLESS STATED OTHERWISE (MM UNITS) <b>XX.</b> ± 1.0 <b>XX.X</b> ± 0.25 <b>XX.XX</b> ± 0.1	MATERIAL Brass housing, glass vial	<b>LEVEL DEVELOPMENTS</b> Croydon, Surrey, CRO 2DN		
		DRAWN BY J.H.L			