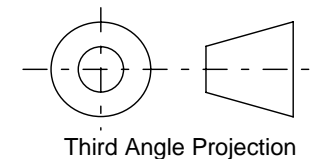
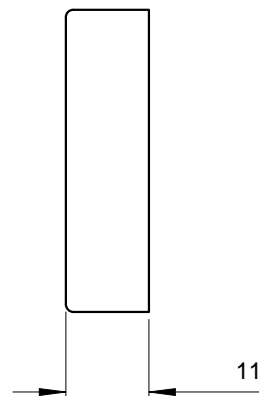
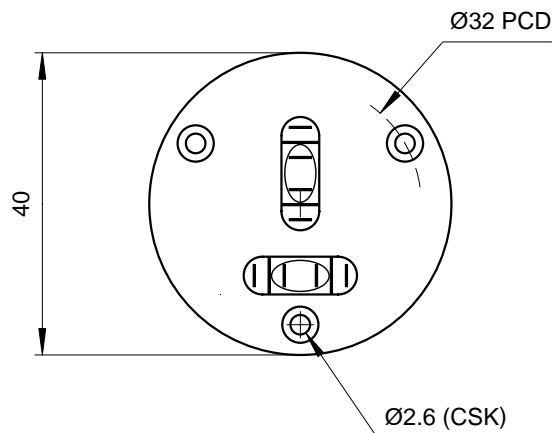


USED ON	SCALE 1 : 1	TITLE Circular cross vial level	DRAWING NUMBER CT40		
---------	----------------	------------------------------------	------------------------	--	--

ISSUE	AMENDMENT	DATE
-------	-----------	------

Sensitivity is 2mm/m (6.875 minutes)
for each 2mm division on the vial.



FINISH Black Anodise	TOLERANCES UNLESS STATED OTHERWISE mm UNITS	XX.	+/- 1.0	MATERIAL Aluminium housing, glass vials	DRAWN BY M. Jones	DATE 11/03/1999	LEVEL DEVELOPMENTS Croydon, Surrey, CRO 2DN
		XX.X	+/- 0.25				
		XX.XX	+/- 0.1				