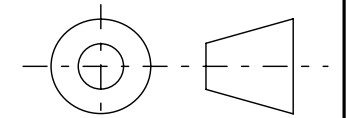
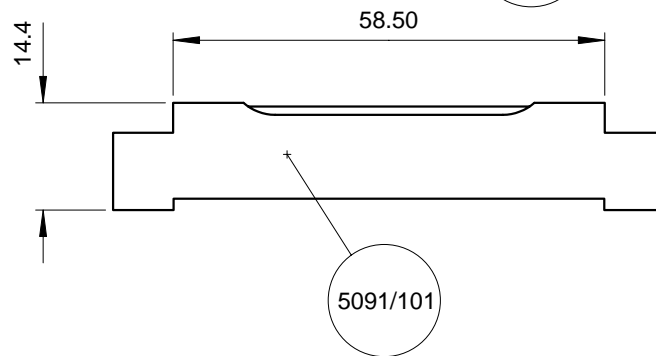
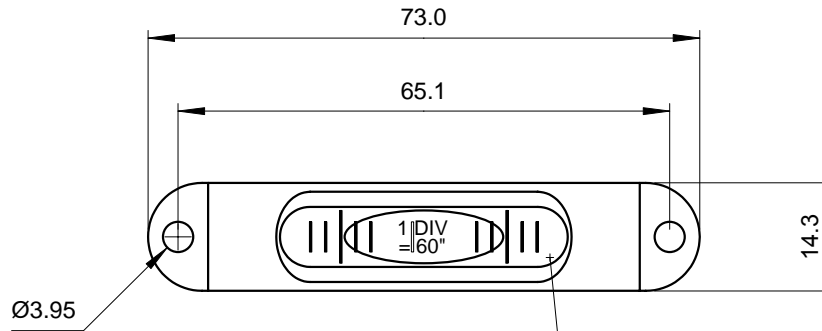


USED ON	SCALE 1:1	TITLE Precision Spirit Level Assembly, 60"	DRAWING NUMBER GP15/60	
---------	--------------	---	---------------------------	--

ISSUE	AMENDMENT	DATE
-------	-----------	------

Note :
 Vial sensitivity : 60 seconds per 2mm division
 Level is set with reference to the flat feet



Third Angle Projection

FINISH Stove enamel black	TOLERANCES UNLESS STATED OTHERWISE (MM UNITS) XX. ± 1.0 XX.X ± 0.25 XX.XX ± 0.1	MATERIAL Aluminium Case, glass vial	LEVEL DEVELOPMENTS Croydon, Surrey, CRO 2DN	
		DRAWN BY J.H.L		