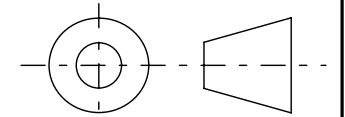
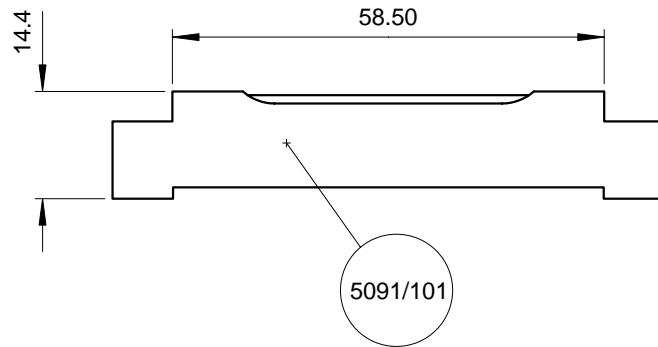
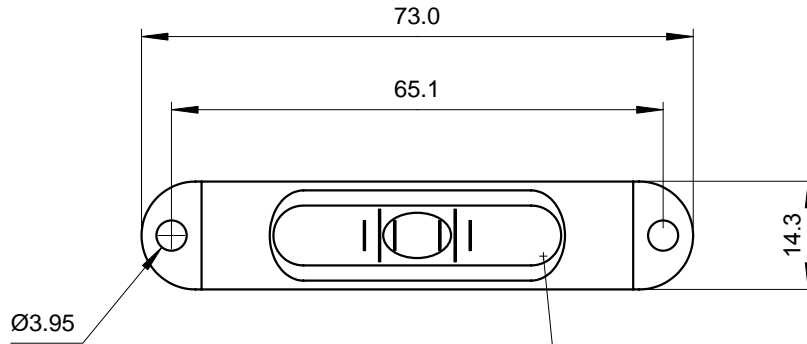


USED ON	SCALE 1:1	TITLE GP15 Mounted Instrument Spirit Level	DRAWING NUMBER GP15P	
---------	--------------	---	-------------------------	--

ISSUE	AMENDMENT	DATE
-------	-----------	------

Note :
 Vial sensitivity : 15 minutes per 1.5mm division
 Level is set with reference to the flat feet



Third Angle Projection

FINISH Stove enamel black	TOLERANCES UNLESS STATED OTHERWISE (MM UNITS)	XX. ± 1.0 XX.X ± 0.25 XX.XX ± 0.1	MATERIAL Aluminium Case, glass vial	LEVEL DEVELOPMENTS Croydon, Surrey, CRO 2DN	
			DRAWN BY J.H.L		