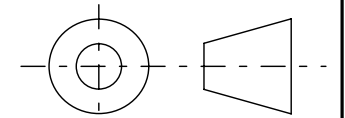
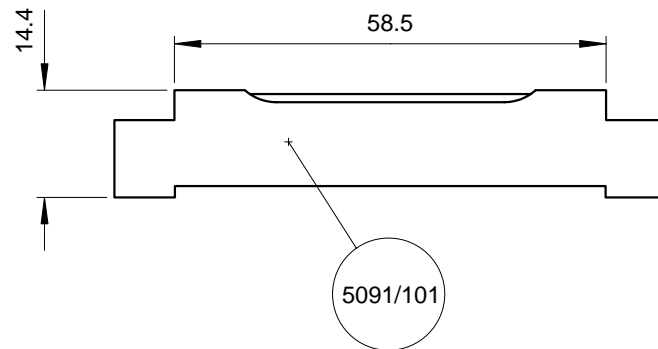
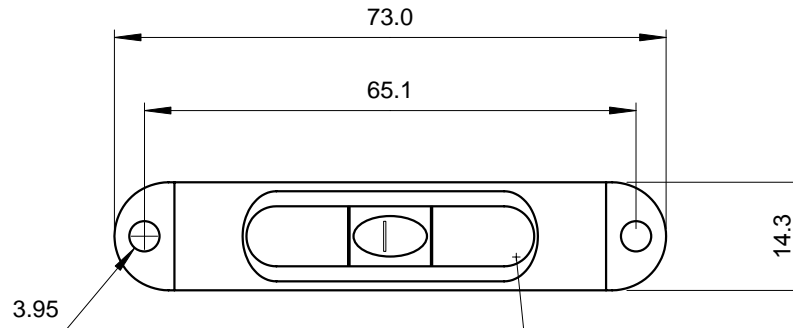


USED ON	SCALE <b>1:1</b>	TITLE <b>Low Cost Spirit Level, Plastic Vial</b>	DRAWING NUMBER <b>GPL15</b>	
---------	---------------------	---	--------------------------------	--

ISSUE	AMENDMENT	DATE
-------	-----------	------

Note :  
Vial sensitivity : 45 minutes per 2mm bubble movement  
Level is set with reference to the flat feet



Third Angle Projection

FINISH Stove enamel black	TOLERANCES UNLESS STATED OTHERWISE (MM UNITS) <b>XX.        ± 1.0</b> <b>XX.X      ± 0.25</b> <b>XX.XX     ± 0.1</b>	MATERIAL Aluminium Case, glass vial	<b>LEVEL DEVELOPMENTS</b> Croydon, Surrey, CRO 2DN	
		DRAWN BY J.H.L		