



SAFETY FIRST

- ✓ Always turn off and un-plug power tools before using the Mini-Pro Digital Angle Gauge.
- ✓ Never use you power tools without the correct guards in place.
- ✓ Guards are not shown in the instructions below only to make the instructions clear.

Instructions

- 1 Set the gauge flat on a reference surface such as the table of a table saw, or mitre saw, or the bed of a milling machine.
- 2 Turn the unit on by pressing the 'ON' button, and then press the 'ZERO' button to reset the display to 0.0°. This sets the reference surface to zero (see figure 1)
- 3 Attach the gauge to the saw blade, jointer fence or workpiece to be measured or set using the embedded magnets in the base (see figure 2). The gauge should always be kept perpendicular to the table for all measurements (see figure 3).
- 4 At this stage a properly adjusted saw blade or jointer fence will read 90° (see figure 5). If the reading is off, re-adjust your machine following the manufacturers instructions.
- 5 Now press zero again, to re-reference the gauge in the absolute vertical position (see figure 5). Now the angle of the blade can be adjusted to the desired reading, again following the manufacturers instructions (see figure 6).
- 6 To replace the battery, rotate the plastic cover on the back of the gauge counter clockwise (see figure 7). The correct replacement battery is a CR2032 Lithium cell.

Pictures

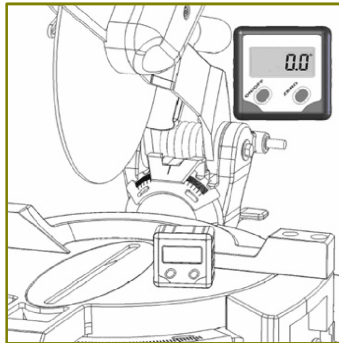


Figure 1

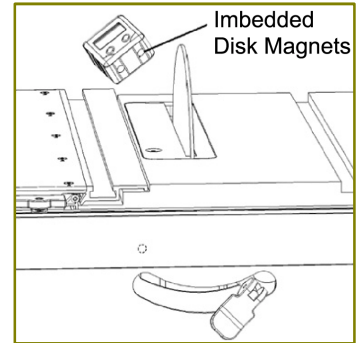


Figure 2

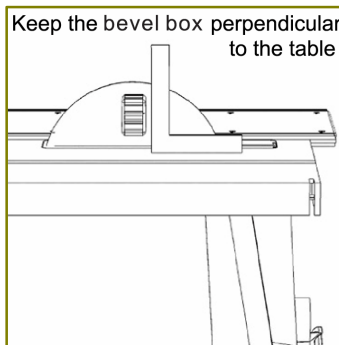


Figure 3

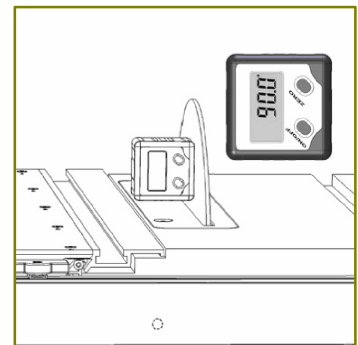


Figure 4

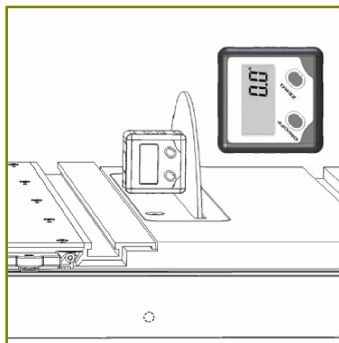


Figure 5

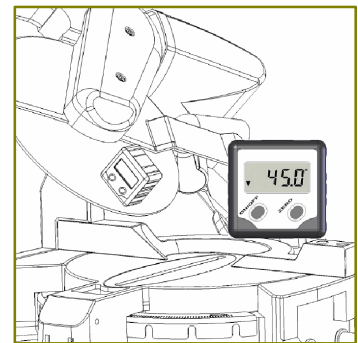


Figure 6

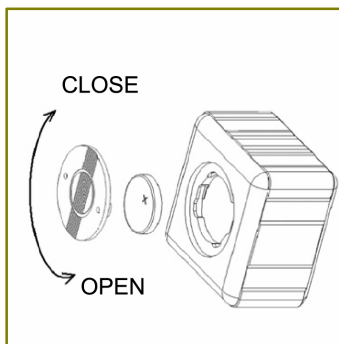


Figure 7