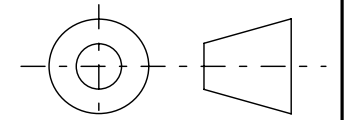
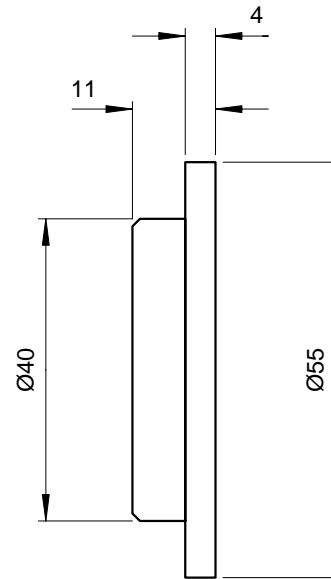
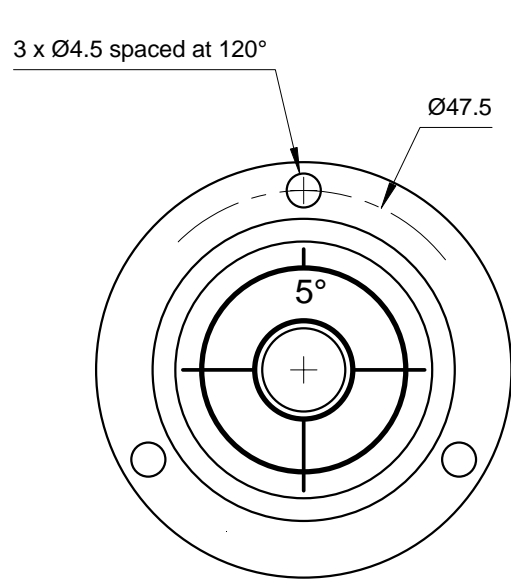


| | | | | |
|---------|--------------|---|---------------------------|--|
| USED ON | SCALE 1:1 | TITLE Circular plastic level, range 5° | DRAWING NUMBER PVF55/5 | |
|---------|--------------|---|---------------------------|--|

| | | |
|-------|-----------|------|
| ISSUE | AMENDMENT | DATE |
|-------|-----------|------|

Note :
Bubble - Ø12mm @ 20°C
Marking lines :
Centre ring - Ø13
5° marking ring - Ø27



Third Angle Projection

| | | | |
|--------|--|-------------------------------|--|
| FINISH | TOLERANCES UNLESS STATED OTHERWISE mm UNITS | MATERIAL Plastic (Acrylic) | LEVEL DEVELOPMENTS Croydon, Surrey, CRO 2DN |
| | | DRAWN BY J.H.L | |