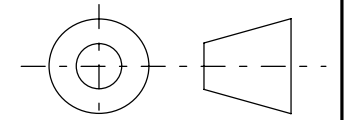
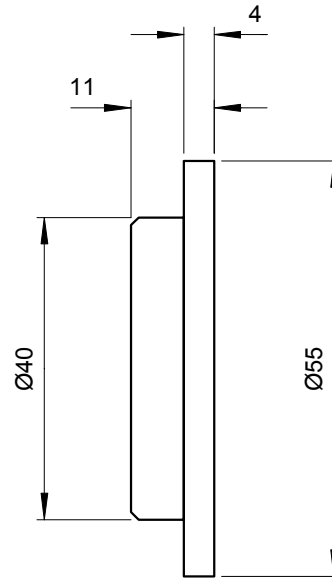
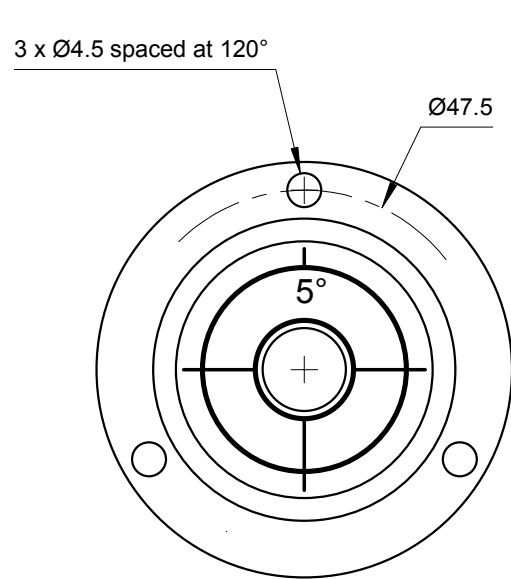


USED ON	SCALE 1:1	TITLE Circular plastic level, range 5°	DRAWING NUMBER PVF55/5	
---------	--------------	---	---------------------------	--

ISSUE	AMENDMENT	DATE
-------	-----------	------

Note :
Bubble - Ø12mm @ 20°C
Marking lines :
Centre ring - Ø13
5° marking ring - Ø27



Third Angle Projection

FINISH	TOLERANCES UNLESS STATED OTHERWISE mm UNITS	XX. +/- 1.0 XX.X +/- 0.25 XX.XX +/- 0.1	MATERIAL Plastic (Acrylic)	LEVEL DEVELOPMENTS Croydon, Surrey, CRO 2DN
			DRAWN BY J.H.L	