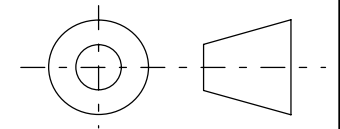
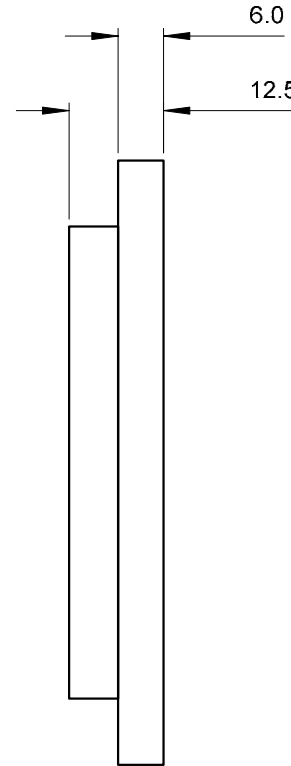
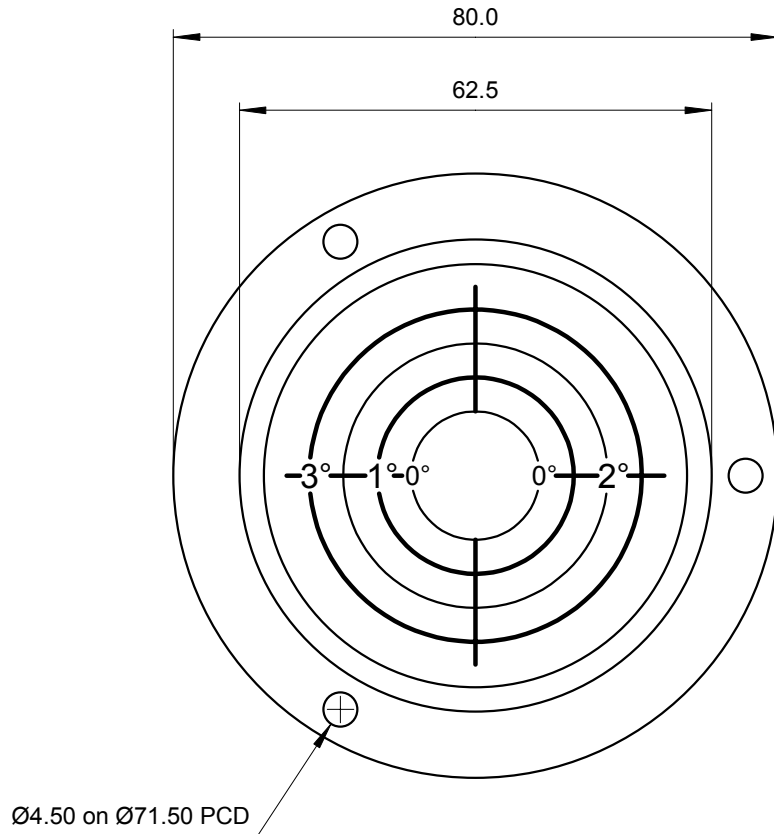


USED ON	SCALE 1:1	TITLE Circular level, 3° range	DRAWING NUMBER PVF80/3	
---------	---------------------	--	----------------------------------	--

ISSUE	AMENDMENT	DATE

Note :
Bubble Size : Ø16.0 @ 20°C
 : Ø12.0 @ 75°C
Temperature Range : -40° to +70°C



FINISH	TOLERANCES UNLESS STATED	XX. +/- 1.0	MATERIAL Polycarbonate	LEVEL DEVELOPMENTS Croydon, Surrey, CRO 2DN
	OTHERWISE	XX.X +/- 0.25	DRAWN BY J.H.L	
	mm UNITS	XX.XX +/- 0.1	DATE 23/03/2001	