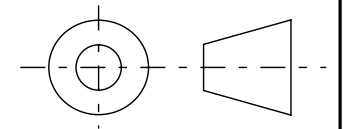
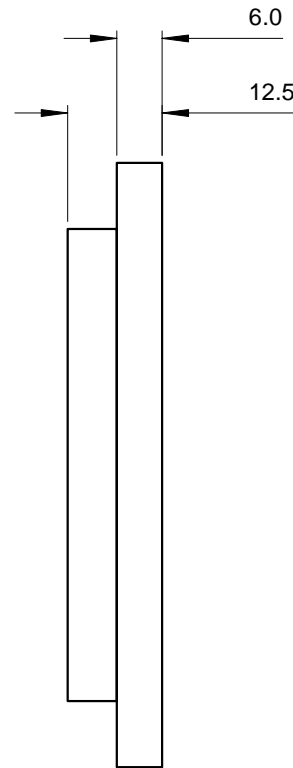
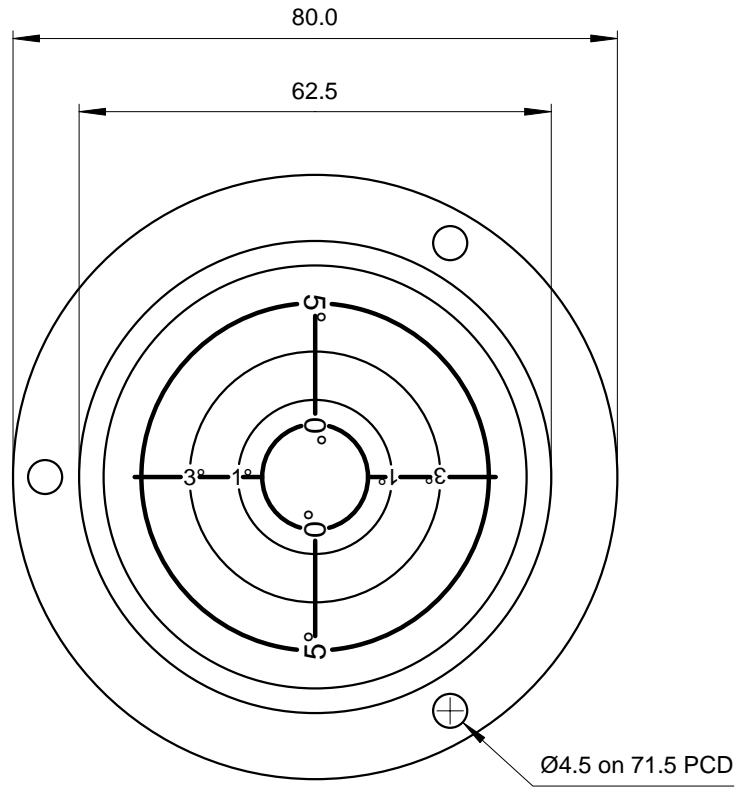


USED ON	SCALE <b>1:1</b>	TITLE <b>Circular level, 5° range</b>	DRAWING NUMBER <b>PVF80/5</b>
---------	---------------------	--	----------------------------------

ISSUE	AMENDMENT	DATE
1	Base thickness reduced to 6.0	13/08/2001

Note :  
Bubble Size : Ø13.0 @ 20°C  
: Ø8.0 @ 75°C  
Temperature Range : -40° to +70°C



FINISH	TOLERANCES UNLESS STATED OTHERWISE mm UNITS	XX.    +/- 1.0 XX.X   +/- 0.25 XX.XX +/- 0.1	MATERIAL <b>Polycarbonate</b>	<b>LEVEL DEVELOPMENTS</b> Croydon, Surrey, CRO 2DN
			DRAWN BY J.H.L	