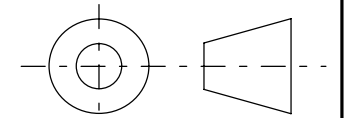
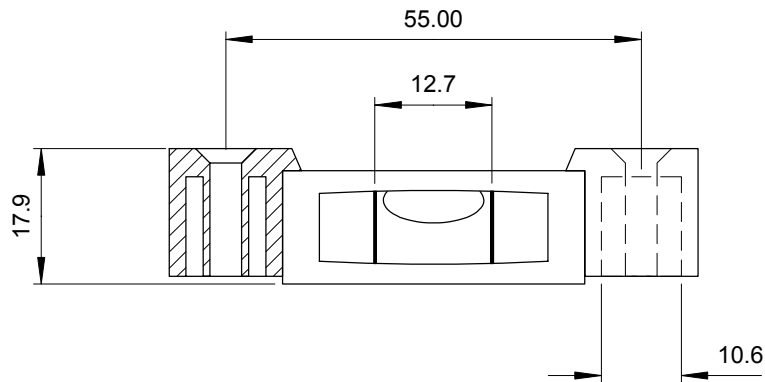
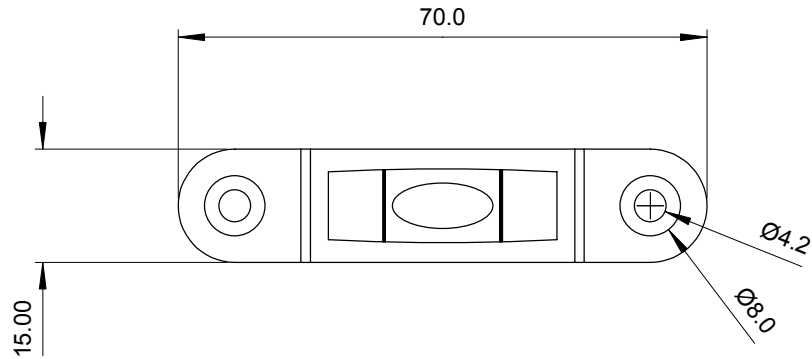


USED ON	SCALE 1:1	TITLE SF40 Acrylic Screw On Level	DRAWING NUMBER SF40		
---------	--------------	--------------------------------------	------------------------	--	--

ISSUE	AMENDMENT	DATE
-------	-----------	------

Note :  
Vial sensitivity : 30-35 minutes per 2mm bubble movement  
Welded end caps



Third Angle Projection

FINISH	TOLERANCES UNLESS STATED OTHERWISE mm UNITS	XX.     +/- 1.0 XX.X    +/- 0.25 XX.XX  +/- 0.1	MATERIAL Acrylic block with hydrocarbon fluid	<b>LEVEL DEVELOPMENTS</b> Croydon, Surrey, CRO 2DN	
			DRAWN BY J.H.L		