

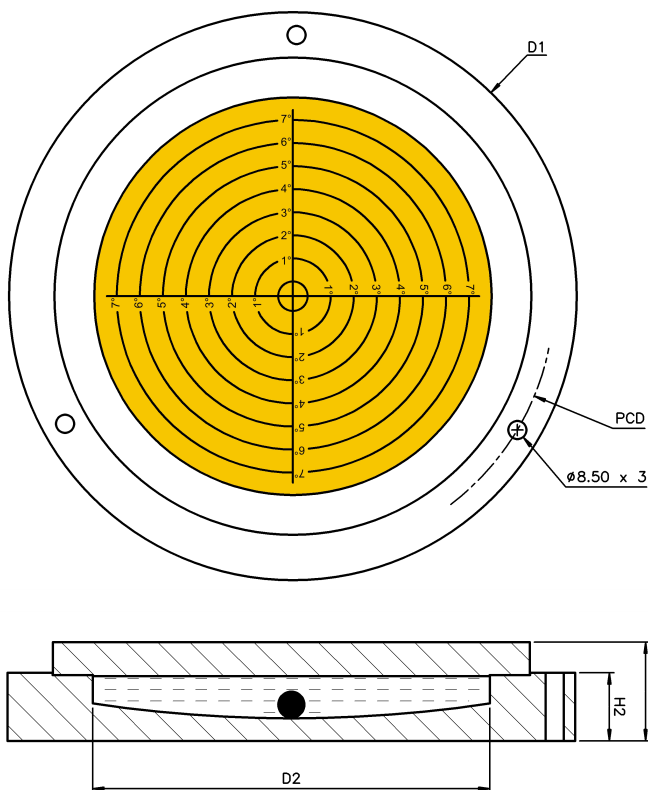


These subsea bullseyes are used to measure the angle of subsea structures and equipment. They are designed to be easily readable by ROV's and subsea cameras, and have been used successfully on projects at 6000m (20,000ft). Level Developments has over 50 years experience in designing and building circular bullseye type levels and inclinometers, and this experience has resulted in a range of products whose performance and price cannot be matched.

- Background colour eliminates glare for improved visibility from ROV
- ± 2 , $\pm 3^\circ$, $\pm 5^\circ$, $\pm 7^\circ$, $\pm 10^\circ$ or $\pm 15^\circ$ measurement range
- Simple mounting arrangement with 3 holes in flange
- Custom sizes, ranges and graduations can be made to order
- Pressure tested to 6,000m (20,000ft)
- Precision radius gives accurate and repeatable ball movement
- Scale printed on ball surface to eliminate parallax error
- Custom built handles and bases to suit customers application
- STANDARD SIZES AVAILABLE FROM STOCK



Dimensions (in mm)



Specifications

Part No	D1	PCD	D2	H1	Range	Weight
5648/4	250	230	175	43.5	$\pm 3^\circ$	2.4Kg
5648/5	250	230	175	43.5	$\pm 5^\circ$	2.4Kg
5648/2	250	230	175	43.5	$\pm 7^\circ$	2.4Kg
5648/6	250	230	175	53.5	$\pm 10^\circ$	3Kg
5648/7	250	230	175	53.5	$\pm 15^\circ$	3Kg
5886/2	300	280	225	53.5	$\pm 2^\circ$	4.2Kg
5886/1	300	280	225	53.5	$\pm 7^\circ$	4.2Kg

Other sizes and graduation designs manufactured on request

Applications

- BOP stacks
- LMRP Stacks
- Pipelines
- Manifolds
- Christmas trees
- Suction Piles
- PLEMS/PLETS
- Habitats

Construction

- Acrylic housing keeps weight low, annealed prior to assembly to maintain strength
- Top and bottom section chemically welded forms a hermetic seal and keeps manufacturing costs low.
- Black ceramic ball gives optimum contrast
- Backing disc underside printed with graduations - reduces parallax error