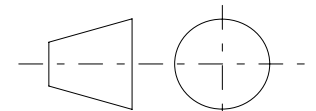
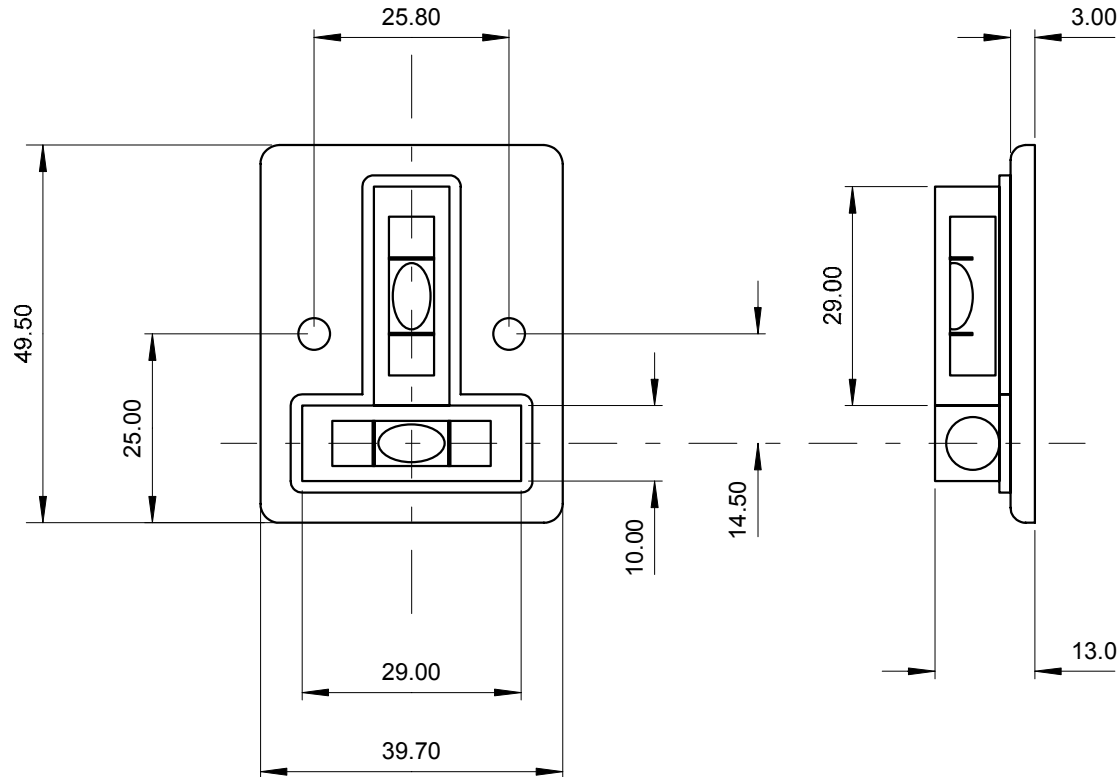


USED ON	SCALE 1:1	TITLE T50 Level	DRAWING NUMBER 3001/1		
---------	--------------	--------------------	--------------------------	--	--

ISSUE	AMENDMENT	DATE
-------	-----------	------

Bubble sensitivity :
 40 arc mins = 2mm bubble movement
 Yellow/green liquid filling
 Black Base with 2 holes 4.20 dia.



FINISH	TOLERANCES UNLESS STATED	XX.	+/- 1.0	MATERIAL Nylon Base, 2 acrylic vials	LEVEL DEVELOPMENTS
	OTHERWISE	XX.X	+/- 0.25		
	mm UNITS	XX.XX	+/-0.1		Croydon, Surrey, CRO 2DN