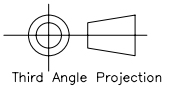
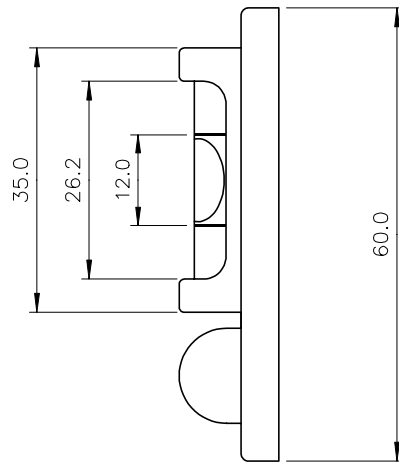
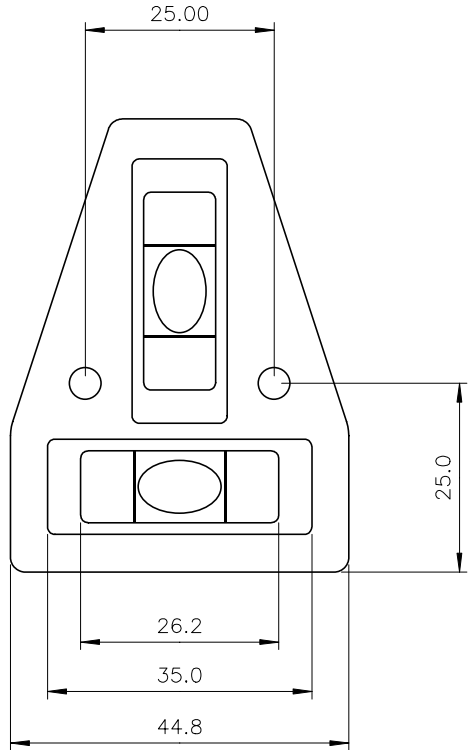


Used On T60	Scale 1:1	Title T60 2 axis plastic level	Drawing Number 3000/101	
			Issue	Amendment
				Date



Finish	Tolerances Unless Stated Otherwise (mm Units)	XX. +/- 1.0 XX.X +/- 0.25 XX.XX +/- 0.1	Material ABS Base, PMMA Vials	Date 14/09/2009	Level Developments Ltd Croydon, Surrey, CR0 2DN t.+44 (0)20 8684 1400
	Drawn By	JHL			