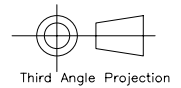
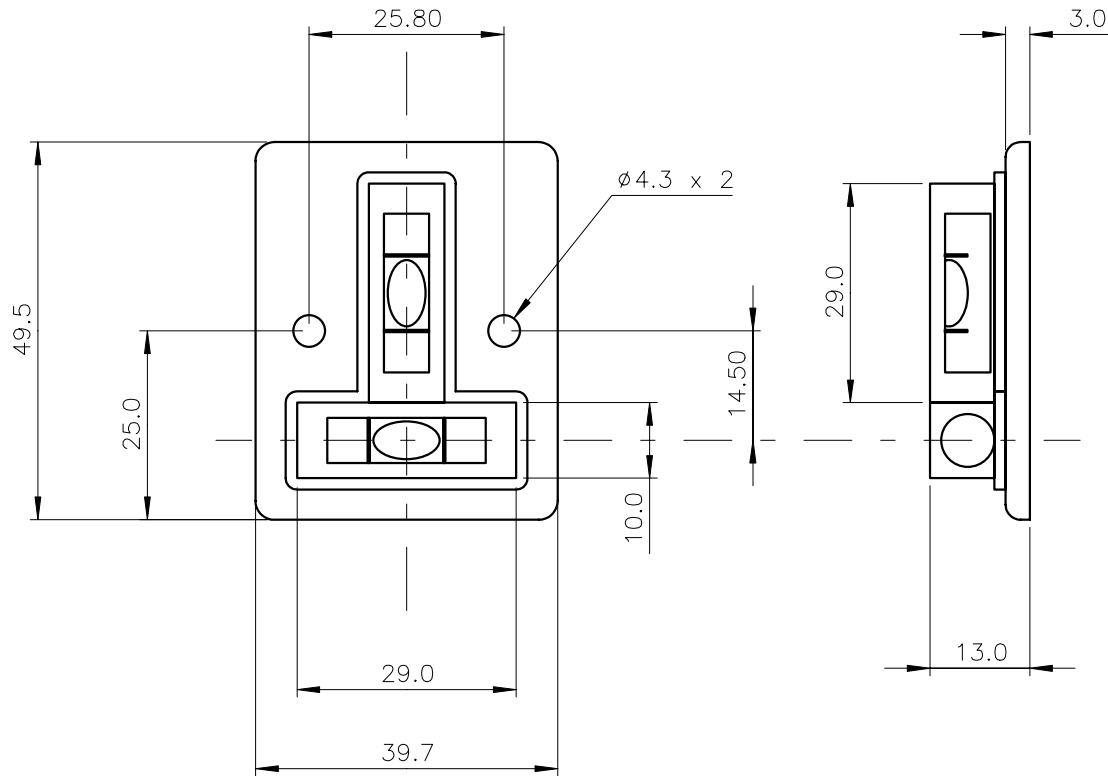


Used On T50	Scale 1:1	Title T50 2 Axis Plastic Screw On Level	Drawing Number 3001/1
----------------	--------------	--	--------------------------

Issue	Amendment	Date
-------	-----------	------



Finish	Tolerances Unless Stated	XX. +/- 1.0 XX.X +/- 0.25	Material ABS Base with PMMA Vials	Level Developments Ltd
--------	-----------------------------	------------------------------	--------------------------------------	------------------------