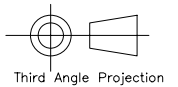
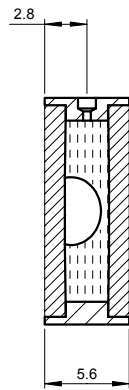
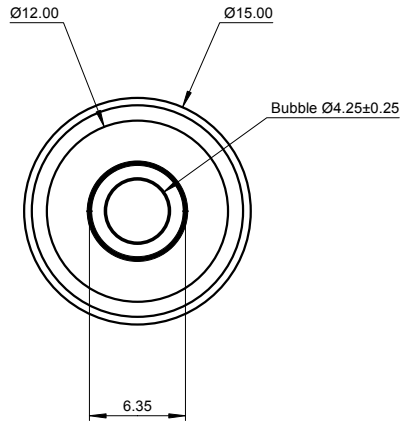


Used On 5564/1	Scale 2:1	Title Circular Vial, Ø15mm sensitivity 22'/2mm	Drawing Number 3046/1
-------------------	--------------	---	--------------------------

Issue	Amendment	Date
-------	-----------	------

Note:

Sensitivity : 22'/2mm bubble movement
Centre Ring : Ø6.65mm ±0.1 external diameter
Colour : Black
Line Thickness : 0.3mm
Bubble : Ø4.25 ±0.25 @20°C



Finish Black anodised	Tolerances Unless Stated Otherwise (mm units) XX. ±1.0 XX.X ±0.25 XX.XX ±0.1	Material Aluminium housing, glass disc	Level Developments Ltd	
		Drawn By JHL	Date 07/01/2004	Croydon, Surrey, CR0 2DN t.+44 (0)20 8684 1400