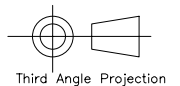
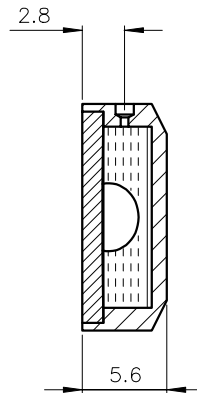
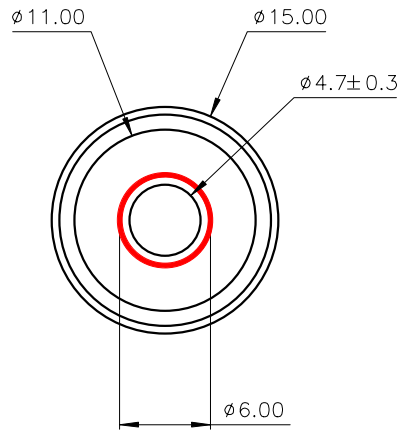


Used On 5609/1	Scale 2:1	Title Circular vial, Ø15mm, sensitivity 20'/2mm	Drawing Number 3049/1
-------------------	--------------	--	--------------------------

Issue	Amendment	Date
-------	-----------	------

Note:

Sensitivity : 20'/2mm bubble movement
Centre Ring : $\phi 6.3\text{mm} \pm 0.1$ external diameter
Colour : Red
Line Thickness : 0.3mm
Bubble : $\phi 4.7 \pm 0.3$ @20°C



Third Angle Projection

Finish Black anodised	Tolerances Unless Stated Otherwise (mm units)	XX. ±1.0	Material Aluminium housing, glass disc	Level Developments Ltd	
		XX.X ±0.25		Drawn By JHL	Date 10/10/2005
		XX.XX ±0.1			