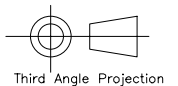
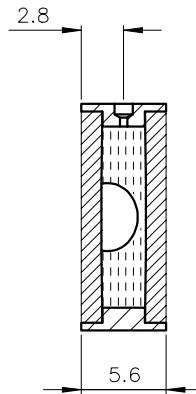
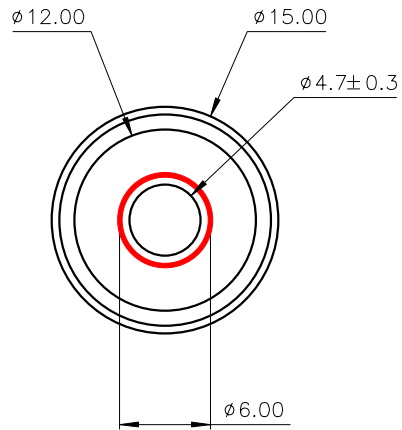


Used On 5634/1	Scale 2:1	Title Circular vial, 15mm, sensitivity 20'/2mm	Drawing Number 3050/1
-------------------	--------------	---	--------------------------

Issue	Amendment	Date
-------	-----------	------

Note:

---  
Sensitivity : 20'/2mm bubble movement  
Centre Ring :  $\phi 6.3\text{mm} \pm 0.1$  external diameter  
Colour : Red  
Line Thickness : 0.3mm  
Bubble :  $\phi 4.7 \pm 0.3$  @20°C



Third Angle Projection

Finish Black anodised	Tolerances Unless Stated Otherwise (mm units) XX. ±1.0 XX.X ±0.25 XX.XX ±0.1	Material Aluminium housing, glass disc	Level Developments Ltd	
		Drawn By JHL	Date 01/07/2005	Croydon, Surrey, CR0 2DN t.+44 (0)20 8684 1400