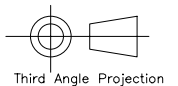
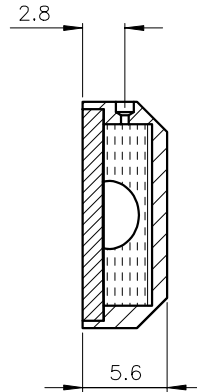
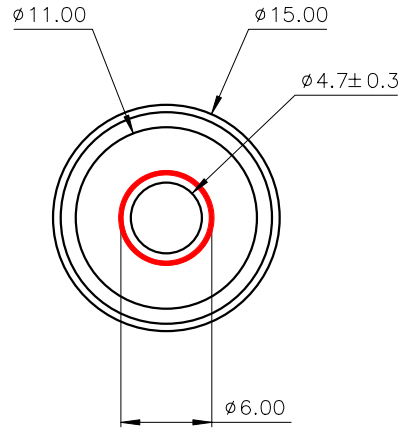


Used On 5661/1	Scale 2:1	Title Circular vial, Ø15mm, sensitivity 7/2mm	Drawing Number 3051/1
-------------------	--------------	--	--------------------------

Issue	Amendment	Date
-------	-----------	------

Note:

Sensitivity : 7'/2mm bubble movement
Centre Ring : $\phi 6.3\text{mm} \pm 0.1$ external diameter
Colour : Red
Line Thickness : 0.3mm
Bubble : $\phi 4.7 \pm 0.3$ @20°C



Third Angle Projection

Finish Black anodised	Tolerances Unless Stated Otherwise (mm units) XX. ±1.0 XX.X ±0.25 XX.XX ±0.1	Material Aluminium housing, glass disc	Level Developments Ltd	
		Drawn By JHL	Date 25/11/2005	Croydon, Surrey, CR0 2DN t.+44 (0)20 8684 1400