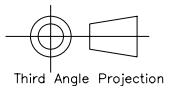
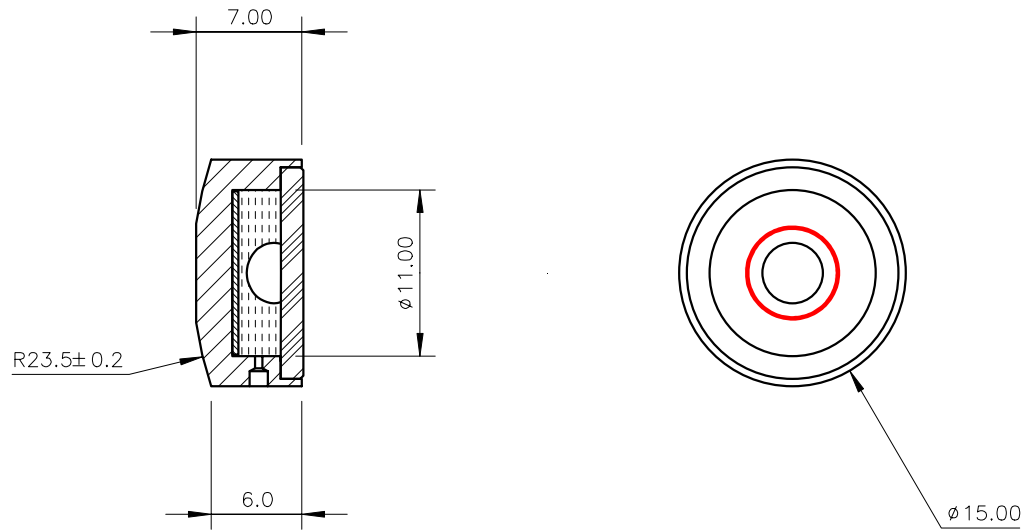


Used On 5732/1	Scale 2:1	Title Circular Vial, Ø15mm sensitivity 6.9'/2mm	Drawing Number 3052/1
-------------------	--------------	--	--------------------------

Issue	Amendment	Date
-------	-----------	------

Note:

---  
 Sensitivity : 6.9'/2mm bubble movement  
 Centre Ring :  $\phi 6.3\text{mm} \pm 0.1$  external diameter  
 Colour : Red  
 Line Thickness : 0.3mm  
 Bubble :  $\phi 4.0 \pm 0.3 @ 20^\circ\text{C}$



Third Angle Projection

Finish Clear anodised	Tolerances Unless Stated Otherwise (mm units)	XX. ±1.0 XX.X ±0.25 XX.XX ±0.1	Material Aluminium housing, glass disc	Level Developments Ltd	
			Drawn By JHL	Date 26/03/2009	Croydon, Surrey, CR0 2DN t.+44 (0)20 8684 1400