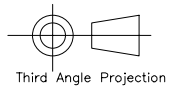
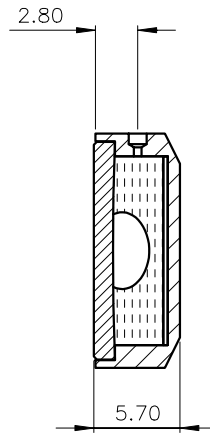
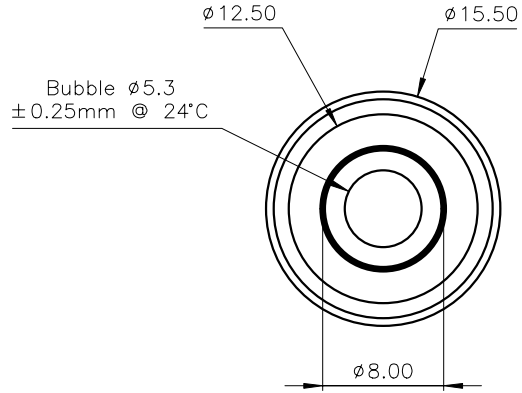


Used On 5590/2	Scale 2:1	Title Circular vial 15.5mm dia, sens 16'/2mm	Drawing Number 3056/1
-------------------	--------------	---	--------------------------

Issue	Amendment	Date
-------	-----------	------

Note:

Sensitivity : 16'/2mm bubble movement
Centre Ring : $\varnothing 8.3\text{mm} \pm 0.1$ external diameter
Colour : Black
Line Thickness : 0.3mm
Bubble : $\varnothing 5.3 \pm 0.25$ @20°C



Third Angle Projection

Finish Black anodised	Tolerances Unless Stated Otherwise (mm units)	XX. ±1.0	Material Aluminium housing, glass disc	Level Developments Ltd	
		XX.X ±0.25		Drawn By JHL	Date 29/07/2004
		XX.XX ±0.1			