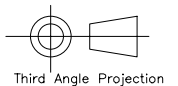
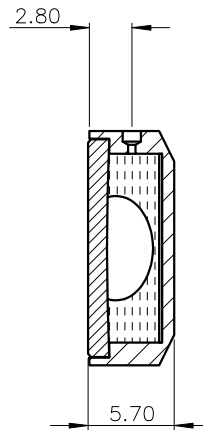
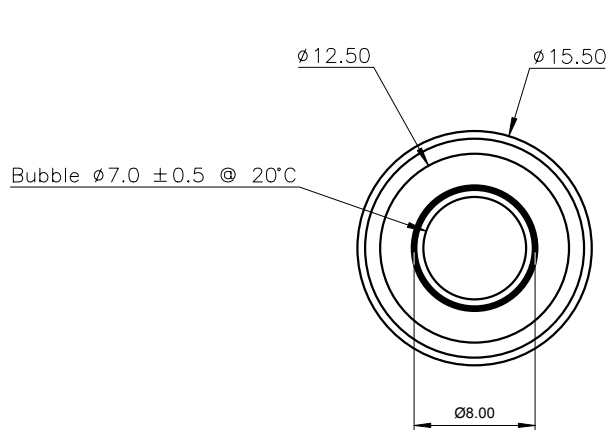


Used On 5611/1	Scale 2:1	Title Circular vial 15.5mm dia, sens 16'/2mm	Drawing Number 3057/1
-------------------	--------------	---	--------------------------

Issue	Amendment	Date
-------	-----------	------

Note:

Sensitivity : 16'/2mm bubble movement
Centre Ring : $\varnothing 8.3\text{mm} \pm 0.1$ external diameter
Colour : Black
Line Thickness : 0.3mm
Bubble : $\varnothing 7.0 \pm 0.5 @ 20^\circ\text{C}$



Finish Black anodised	Tolerances Unless Stated Otherwise (mm units)	XX. ±1.0 XX.X ±0.25 XX.XX ±0.1	Material Aluminium housing, glass disc	Level Developments Ltd	
			Drawn By JHL	Date 16/02/2005	Croydon, Surrey, CR0 2DN t.+44 (0)20 8684 1400