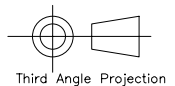
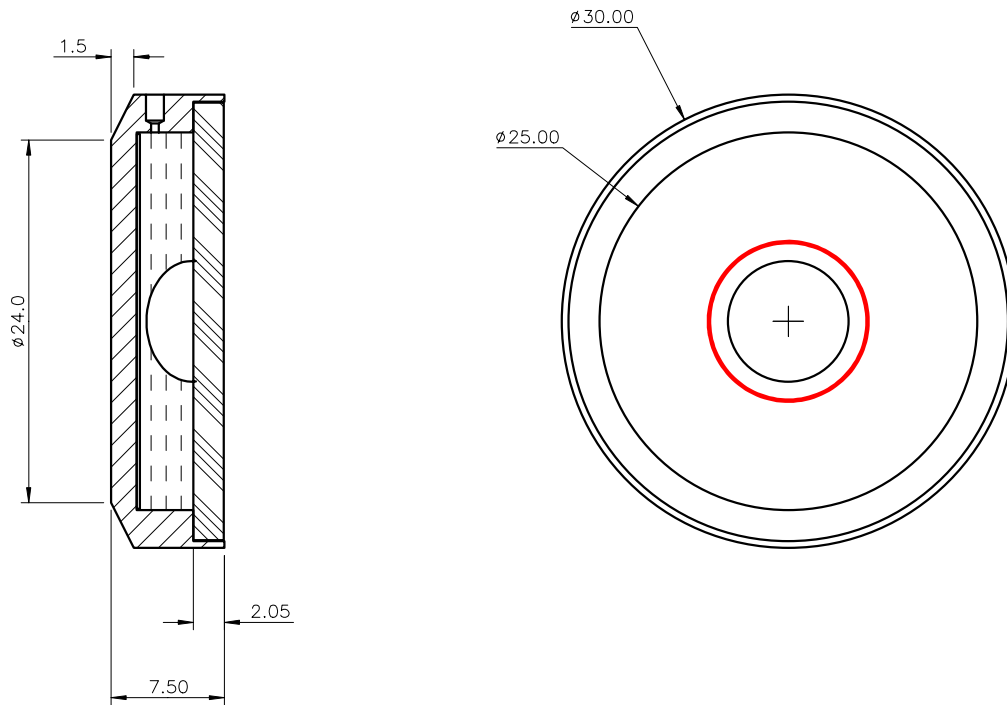


Used On 5818/1	Scale 2:1	Title Circular Vial, Ø30mm sensitivity 12'/2mm	Drawing Number 3062/1
-------------------	--------------	---	--------------------------

Issue	Amendment	Date
-------	-----------	------

Note:

Sensitivity : 12'/2mm bubble movement (±2')
Centre Ring : Ø10.80mm ±0.1 external diameter
Colour : Red
Line Thickness : 0.3mm
Bubble : Ø8.0 ±0.3 @20°C



Finish Black anodised	Tolerances Unless Stated Otherwise (mm units) XX. ±1.0 XX.X ±0.25 XX.XX ±0.1	Material Aluminium housing, glass disc	Level Developments Ltd	
		Drawn By JHL	Date 26/03/2009	Croydon, Surrey, CR0 2DN t.+44 (0)20 8684 1400