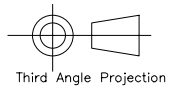
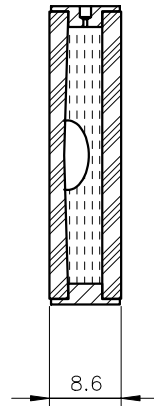
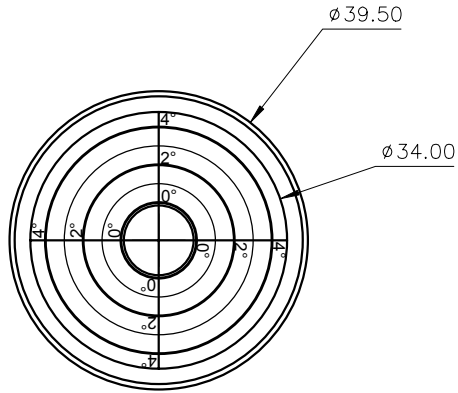


Used On 5671/1	Scale 2:1	Title Circular Vial, Ø39.5mm sensitivity 1°/2.5mm	Drawing Number 3065/1
-------------------	--------------	--	--------------------------

Issue	Amendment	Date
-------	-----------	------

Note:

Sensitivity : 1°/2.5mm bubble movement
Centre Ring : Ø10.3mm ±0.1 external diameter
Colour : Black
Line Thickness : 0.3mm
Bubble : Ø9.25 ±0.25 @20°C
Liquid : Clear
Backing: Transparent
Case Colour: Black



Third Angle Projection

Finish Black anodised	Tolerances Unless Stated Otherwise (mm units) XX. ±1.0 XX.X ±0.25 XX.XX ±0.1	Material Aluminium housing, glass disc	Level Developments Ltd	
		Drawn By JHL	Date 20/01/2006	Croydon, Surrey, CR0 2DN t.+44 (0)20 8684 1400